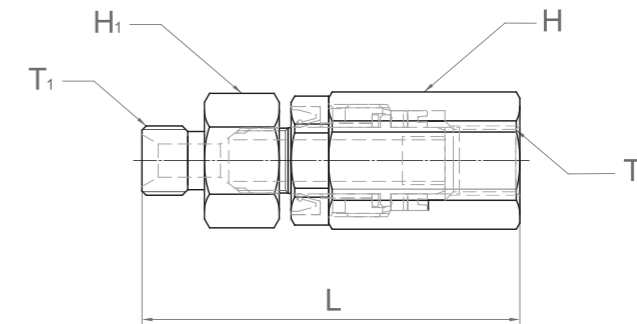


ROTARY COUPLING STRAIGHT

SRS

Product specification

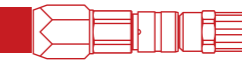
- Material high grade carbon steel surface treated Zinc-Nickel plate
- Seals standard in oil proof NBR (Nitril Rubber) and Teflon. On request Viton, Neoprene, EPDM or other seals
- Working temperatures with standard seals -20°C ~ 80°C



Specifications

Body Size (in)	1 / 4	3 / 8	1 / 2	3 / 4	1
Rated Pressure (PSI)	5000	4000	4000	3000	3000
Rated Flow (GPM)	3	6	12	28	50
Temperature Range(std seals)	-20°C to +100°C				
Standard seal material is Nitrile					

SIZE	L	H	H ₁	T	T ₁
UNIT	mm	mm	mm	BSPP	BSPP
SRS 04G	46	30	28	1/4	1/4
SRS 06G	91	30	28	3/8	3/8
SRS 08G	104	46	28	1/2	1/2
SRS 12G	122	55	32	3/4	3/4



ROTARY COUPLING ELBOW

SRE

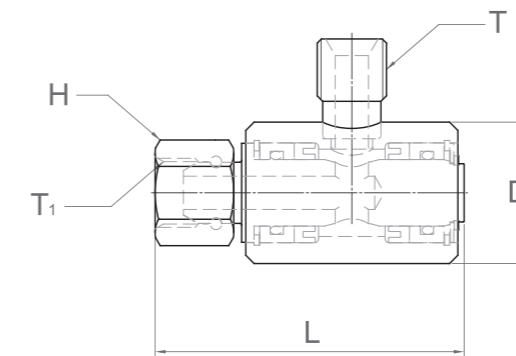
Product specification

- Material high grade carbon steel surface treated Zinc-Nickel plate
- Seals standard in oil proof NBR (Nitril Rubber) and Teflon. On request Viton, Neoprene, EPDM or other seals
- Working temperatures with standard seals -20°C ~ 80°C



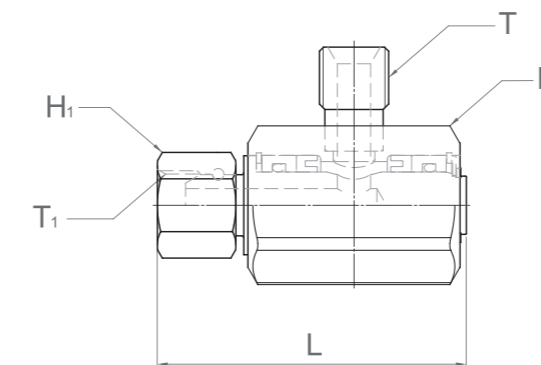
Specifications

Body Size (in)	1 / 4	3 / 8	1 / 2	3 / 4	1"
Rated Pressure (PSI)	5000	4000	4000	3000	3000
Rated Flow (GPM)	3	6	12	28	50
Temperature Range(std seals)	-20°C to +100°C				
Standard seal material is Nitrile					



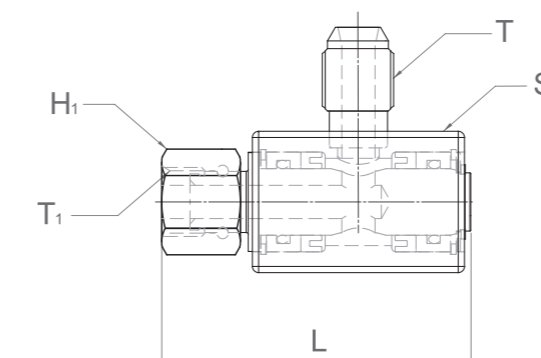
SRE (Rotary Fitting Elbow)-A

SIZE	L	H	ØD	T	T ₁
UNIT	mm	mm	mm	BSPP	BSPP
SRE-A 04G	49	17	28	1/4	1/4
SRE-A 06G	51	22	34	3/8	3/8
SRE-A 08G	70	27	40	1/2	1/2
SRE-A 12G	80	32	52	3/4	3/4



SRE (Rotary Fitting Elbow)-B

SIZE	L	H	H ₁	T	T ₁
UNIT	mm	mm	mm	BSPT	BSPT
SRE-B 04R	74.75	24	22	1/4	1/4
SRE-B 06R	83	27	22	3/8	3/8
SRE-B 08R	92.5	36	32	1/2	1/2



SRE (Rotary Fitting Elbow)-C

SIZE	L	H	S	T	T ₁
UNIT	mm	mm	mm	BSPP	BSPP
SRE-C 04	49	17	28	1/4	1/4
SRE-C 06	51	22	34	3/8	3/8
SRE-C 08	70	27	40	1/2	1/2
SRE-C 12	80	32	52	3/4	3/4