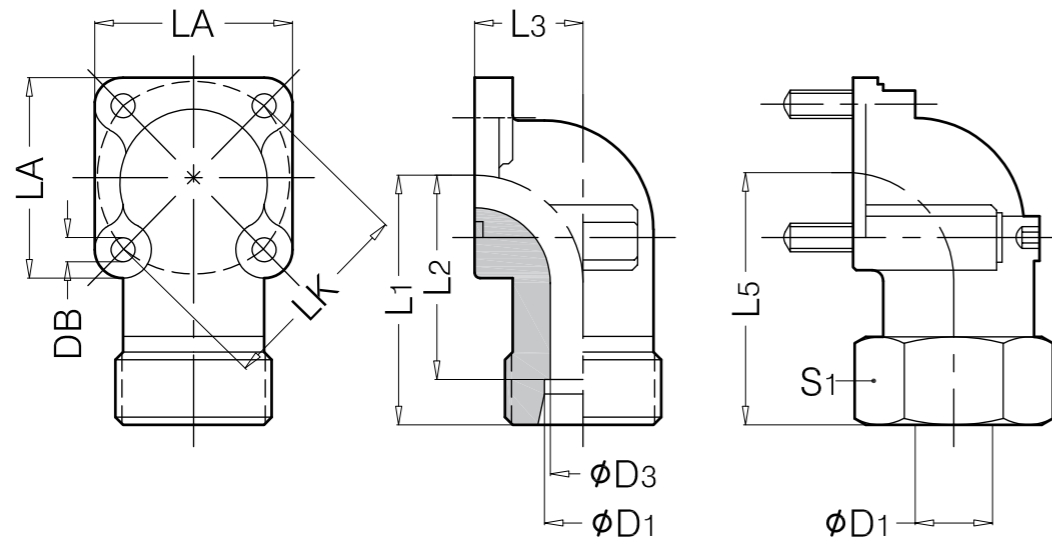


GEAR PUMP FLANGE 90° ELBOW
SBFW



LK	D1	D3	L1	L2	L3	L5	LA	S1	DB	Screws		O-ring	PN(bar) A3C
										2 pieces(metr.)	2 pieces(metr.)		
35	12L	10	37.5	30.5	16.5	47	39	22	6.4	M6 X 22	M6 X 35	20 X 2.5	250
35	15L	12	37	30.0	16.5	46	39	27	6.4	M6 X 22	M6 X 35	20 X 2.5	250
35	16S	12	38	29.5	20.0	48	39	30	6.4	M6 X 22	M6 X 40	26 X 2.5	400
35	20S	16	45	34.5	25.0	45	39	36	6.4	M6 X 22	M6 X 45	20 X 2.5	400
40	15L	12	37	30.0	22.5	46	42	27	6.4	M6 X 22	M6 X 22	26 X 2.5	250
40	18L	15	38	30.5	22.5	47	42	32	6.4	M6 X 22	M6 X 22	26 X 2.5	160
40	22L	19	38	30.5	22.5	47.5	42	36	6.4	M6 X 22	M6 X 22	26 X 2.5	160
40	28L	25	40	32.5	28.0	49	42	41	6.4	M6 X 20	M6 X 50	26 X 2.5	100
40	35L	30	41	30.5	34.0	52	42	50	6.4	M6 X 22	M6 X 60	26 X 2.5	100
40	20S	19	38	27.5	22.5	50	42	36	6.4	M6 X 22	M6 X 45	26 X 2.5	400
55	20S	16	45	34.5	24.0	56	58	36	8.4	M8 X 25	M8 X 50	32 X 2.5	400
55	22L	16	43	35.5	24.0	52.5	58	36	8.4	M8 X 25	M8 X 50	32 X 2.5	160
55	25S	20	49	37.0	30.0	61	58	46	8.4	M8 X 25	M8 X 55	32 X 2.5	400
55	35L	30	49	38.5	32.0	62	58	50	8.4	M8 X 25	M8 X 60	32 X 2.5	100



COUPLER



These Hydraulic Valves are designed to meet working pressure up to 500 bar and Sekwang normally uses Carbon steel. Also, we are flexible to change the thread type as customer's requirement. The total system design must be taken into consideration to ensure optimal performance and safety.

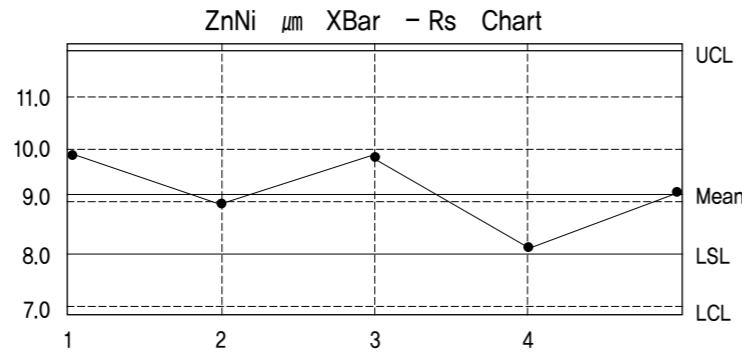
INFORMATION

PLATING SPECIFICATION

TEST ITEM	SPEC	TEST RESULT
Salt SPRAY TEST Speciteation 1. Spray Chamber temp :35±2°C 2. Degree of saturation temp :47.5±2.5°C 3. Salt concentraion :5±0.5% 4. Nozzle discharge rate :1.5±0.5mL/hr 5. Pneumatic press :1.25±0.55Kg/cm² 6. Specific gravity :1.025~1.032	No white rust in 600hr No red rust in 720hr	Verdict : Remark: <div style="border: 1px solid black; padding: 5px; display: inline-block; margin-top: 10px;">PASS</div>

PLATING SAMPLE TEST

ZnNi	μm	Zn%	Ni%
1	9.9	83.40	16.60
2	8.8	85.04	14.96
3	9.9	83.56	16.44
4	8.1	86.94	13.06
5	9.2	86.94	13.06



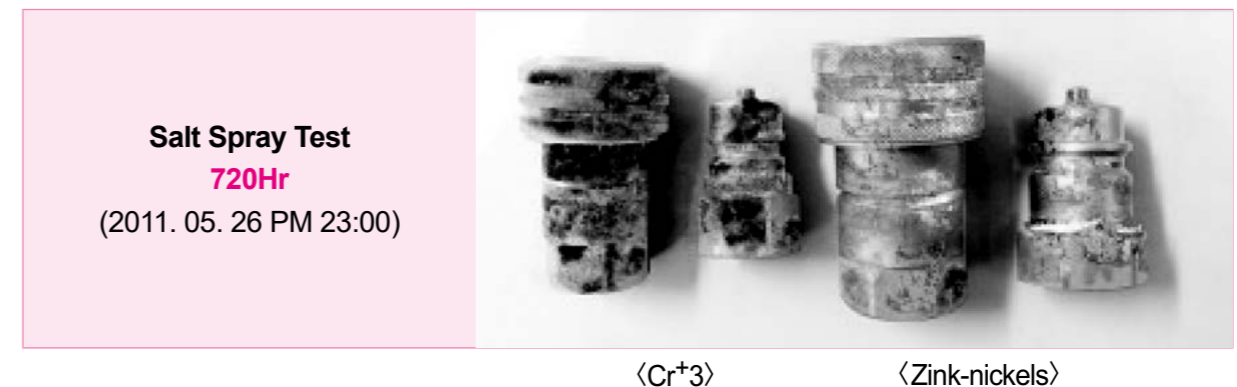
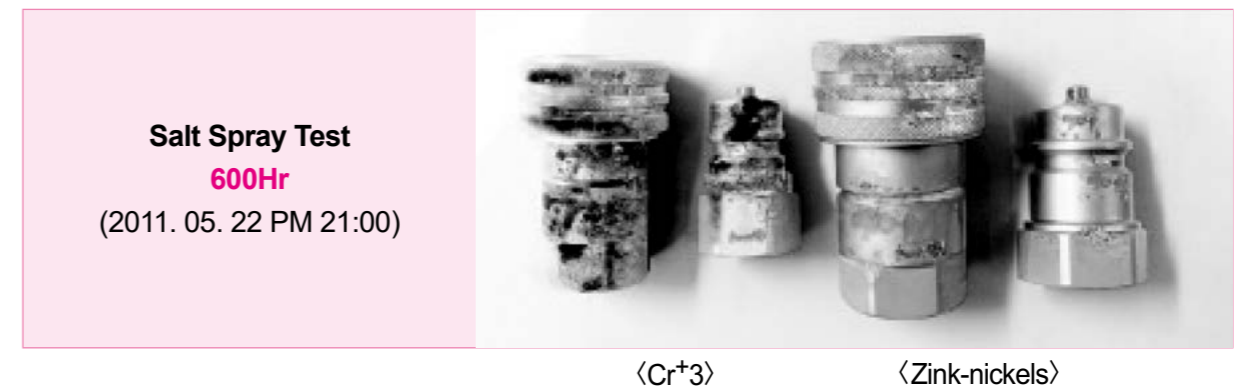
ZnNi/Fe			
Data NO	5	5	5
Minimum	8.1	83.40	13.06
Maximum	9.9	86.94	16.60
Max-Min	1.8	3.54	3.54
Mean	9.2	85.18	14.82
StdDev	0.766	1.732	1.733
CV%	8.344	2.0331	1.691
Cp	1	6.8512	1.023
Cpk	0.5221	6.393	2.851
LSL	8.0	0.00	0.00
USL	1	75.122	18.60

Date : 2011-07-11

ZnNi8

PASS

COMPARE WITH OTHER



Example **S PA 4 0 PFF 4 ST N**

Sekwang

SERIES

	SPA (ISO 7241A)
	SPB (ISO 7241B)
SP SERIES (POPPET)	SPP (PUSH-PULL ISO 5675) SPV (BALL VALVE ISO 5675)
SF SERIES (FLUSH FACE)	SFF (FLUSH FACE) SFW (FLUSH FACE W valve) SFS (FLUSH FACE SCREW)
SR SERIES (ROTARY)	SRS (ROTARY FITTING STRAIGHT) SRE (ROTARY FITTING ELBOW)
SPECIAL ITEM	MANI FOLD
SPECIAL ITEM	PLASTIC HOSE FITTING

Body size

04	1/4	6.3
06	3/8	10
08	1/2	12.5
12	3/4	19
16	1"	25

Part

0	Coupler male & Female set
1	Female
2	Male

Connecting screw

- PFF
- PFM
- PTF
- PTM
- NPTF
- NPTM
- BSPTF
- BSPTM
- BSPFF
- BSPFM

Connecting screw size

04	1/4
06	3/8
08	1/2
12	3/4
16	1"

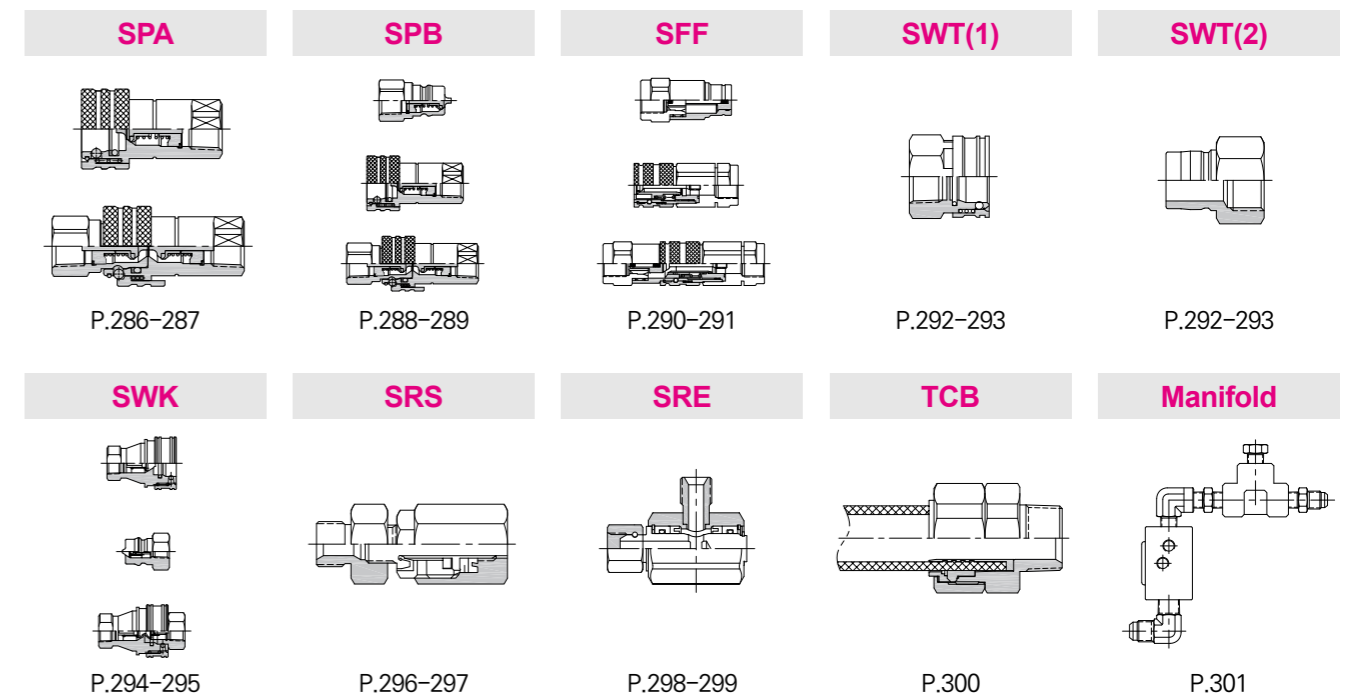
Material

ST	Steel
SS	Stainless steel
BR	Brass

Seal rubber

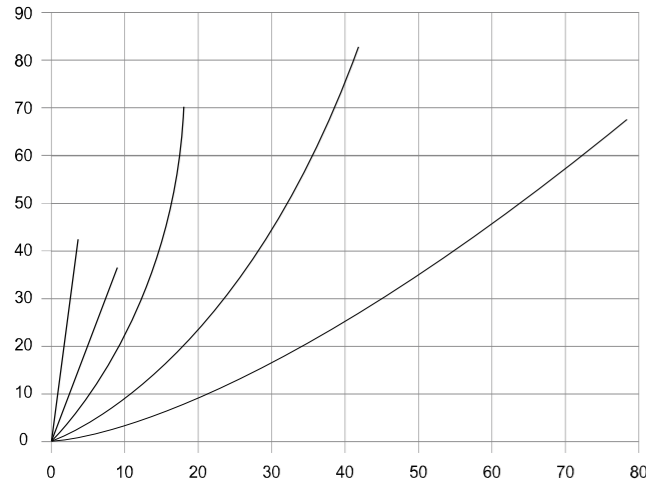
- NBR
- HNBR
- Viton

HOW TO ORDER



QUICK RELEASE COUPLING (ISO - A) VALVE

SPA



Feature

- Bearing ball latching system
- Shout-off system poppet valve
- Smooth connection and release of plug and socket allows convenient
- Automatically open when coupled, to keep the flow expedately

Product specification

- ISO 7241-A quick coupler
- Material high grade carbon steel surface treated Zinc-Nickel plate.
- Seals standard in oil proof NBR (Nitril Rubber) and Tetlon, Viton, Neoprene, EPDM or others on request.
- Working temperatures with standard seals -26°C[-15°F] ~ 100°C[212°F]

Example: S PA 4 0 PFF 4 ST N

Sekwang

SERIES
SP SERIES (POPPET) SPA (ISO 7241A)

Body size

04	1/4	6.3
06	3/8	10
08	1/2	12.5
12	3/4	19
16	1"	25

Part

0	Coupler male & Female set
1	Female
2	Male

Connecting screw

PFF
PFM
PTF
PTM
NPTF
NPTM
BSPTF
BSPTM
BSPFF
BSPFM

Connecting screw size

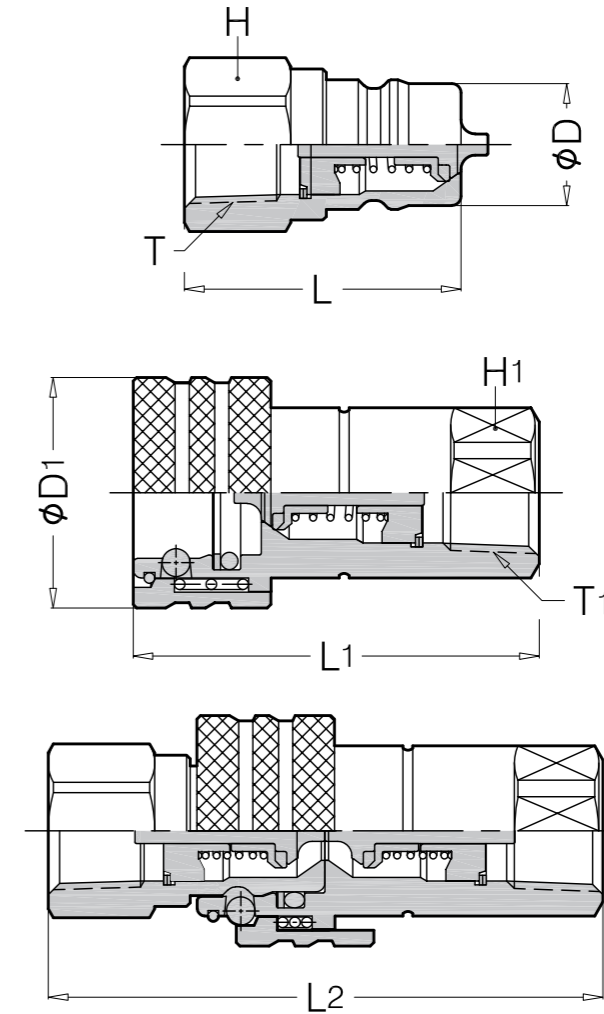
04	1/4
06	3/8
08	1/2
12	3/4
16	1"

Material

ST	Steel
SS	Stainless steel
BR	Brass

Seal rubber

NBR
HNBR
Viton



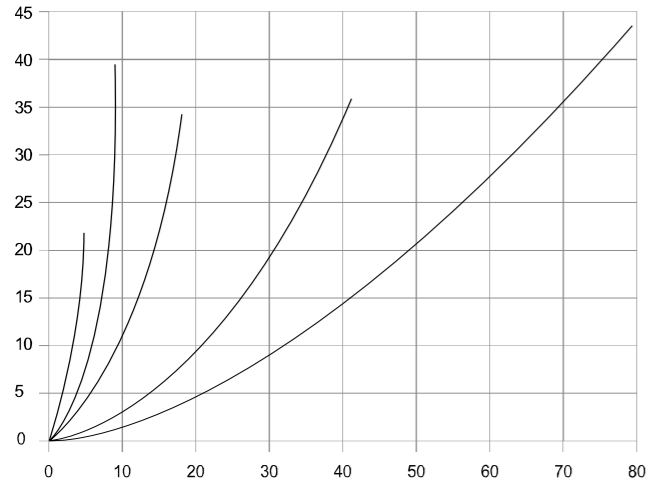
Specifications					
Body Size (in)	1 / 4	3 / 8	1 / 2	3 / 4	1
Rated Pressure (PSI)	5000	4000	4000	3000	3000
Rated Flow (GPM)	3	6	12	28	50
Temperature Range(std seals)	-20°C to +100°C				
Standard seal material is Nitrile					

SIZE	NOMIANL BODY SIZE		L	L ₁	L ₂	H	H ₁	D	D ₁	T	T ₁
UNIT	mm	inch	mm	mm	mm	mm	mm	mm	mm	BSPT	BSPT
SPA 04R	6.3	1/4	36	49	68	19	19	11.8	27	1/4	1/4
SPA 06R	10	3/8	39	57	77	22	22	17.2	33	3/8	3/8
SPA 08R	12.5	1/2	44	66	89	27	27	20.5	40	1/2	1/2
SPA 12R	19	3/4	56	83	112	35	35	30	48	3/4	3/4
SPA 16R	25	1	62	96	124	41	41	34.3	56	1	1

Dimensions for BESPT thread. Other threads available, see Order Codes opposite

QUICK RELEASE COUPLING (ISO - B) VALVE

SPB 



Feature

- Bearing ball latching system
- Shut-off system poppet valve
- Smooth connection and release of plug and socket allows convenient use
- Automatically open when coupled, to keep the flow expediteley

Product specification

- ISO 7241-B quick coupler
- Material high grade carbon steel surface treated Zinc-Nickel plate
- Seals standard in oil proof NBR (Nitril Rubber) and Tetlon, Viton, Neoprene, EPDM or others on request.
- Available to prevent uncoupled leakage
- Working temperatures with standard seals -26°C[-15°F] ~ 100°C[212°F]

Example: S PB 4 0 PFF 4 ST N

Sekwang

SERIES
SP SERIES (POPPET) SPB (ISO 7241B)

Body size

04	1/4	6.3
06	3/8	10
08	1/2	12.5
12	3/4	19
16	1"	25

Part

0	Coupler male & Female set
1	Female
2	Male

Connecting screw

PFF
PFM
PTF
PTM
NPTF
NPTM
BSPTF
BSPTM
BSPFF
BSPFM

Connecting screw size

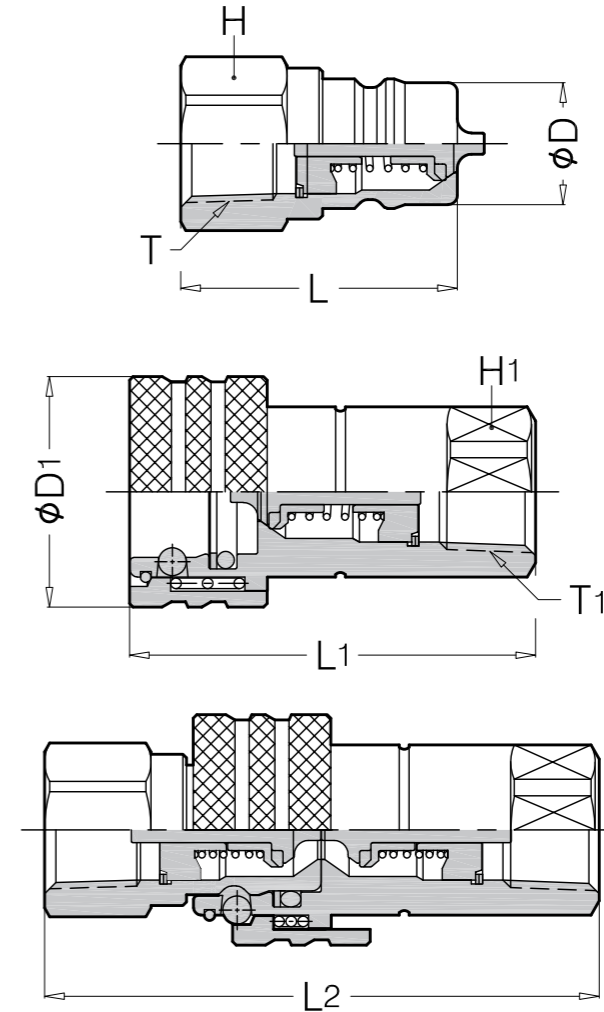
04	1/4
06	3/8
08	1/2
12	3/4
16	1"

Material

ST	Steel
SS	Stainless steel
BR	Brass

Seal rubber

NBR
HNBR
Viton



Specifications

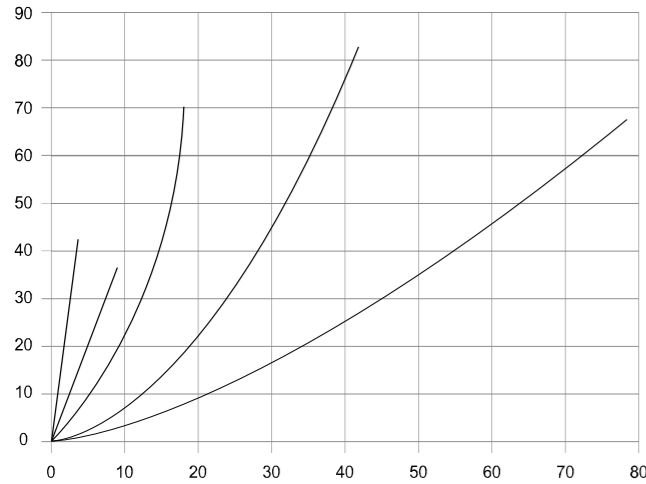
	1 / 4	3 / 8	1 / 2	3 / 4	1
Body Size (in)	1 / 4	3 / 8	1 / 2	3 / 4	1
Rated Pressure (PSI)	5000	4000	4000	3000	3000
Rated Flow (GPM)	3	6	12	28	50
Temperature Range(std seals)	-20°C to +100°C				
Standard seal material is Nitrile					

SIZE	NOMIANL BODY SIZE		L	L1	L2	H	H1	D	D1	T	T1
UNIT	mm	inch	mm	mm	mm	mm	mm	mm	mm	BSPT	BSPT
SPB 04R	6.3	1/4	36	57	72	19	19	14.1	28	1/4	1/4
SPB 06R	10	3/8	39	63	78	22	22	19	35	3/8	3/8
SPB 08R	12.5	1/2	44	74	92	27	27	23.5	44	1/2	1/2
SPB 12R	19	3/4	56	91	112	35	35	31.4	53	3/4	3/4
SPB 16R	25	1	62	106	132	41	41	37.8	62	1	1

Dimensions for BESPT thread. Other threads available, see Order Codes opposite

FLUSH FACE VALVE

SFF



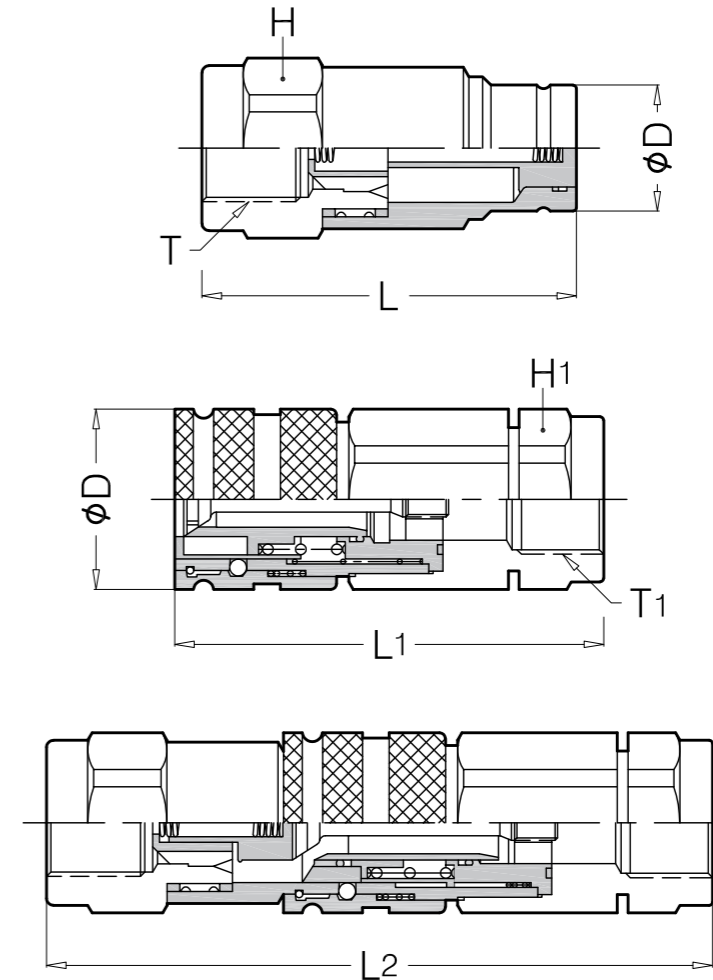
Feature

- Connection with pushing the male coupling
- Disconnection with pulling back the sleeve
- Shut-off system flat valve
- Connectability without pressure
- Disconnection under pressure not allowed
- Interchangeability according to ISO 16028
- Bearing ball latching system

Product specification

- Material high grade carbon steel surface treated Zinc-Nickel plate
- Seals standard in oil proof NBR (Nitril Rubber) and Tetlon, Viton, Neoprene, EPDM or others on request.
- Working temperatures with standard seals -26°C[-15°F] ~ 100°C[212°F]

Example	S	FF	4	0	PFF	4	ST	N
Sekwang								
SERIES	SF SERIES (FLUSH FACE) SFF (FLUSH FACE)							
Body size	04	1/4	6.3					
	06	3/8	10					
	08	1/2	12.5					
	12	3/4	19					
	16	1"	25					
Part	0	Coupler male & Female set						
	1	Female						
	2	Male						
Connecting screw	PFF PFM PTF PTM NPTF NPTM BSPTF BSPTM BSPFF BSPFM							
Connecting screw size	04	1/4						
	06	3/8						
	08	1/2						
	12	3/4						
	16	1"						
Material	ST	Steel						
	SS	Stainless steel						
	BR	Brass						
Seal rubber	NBR HNBR							



Specifications

Body Size (in)	1 / 4	3 / 8	1 / 2	3 / 4	1
Rated Pressure (PSI)	5000	3000	3000	3000	3000
Rated Flow (GPM)	3	6	12	28	50
Temperature Range	-20°C to +100°C				
Spillage (ML)(max .per disconnect)	.015	.015	.020	.150	.200
Air Inclusion (ML)(max .per connect)	.020	.020	.070	.100	.150

Standard seal material is Nitrile

SIZE	NOMIANL BODY SIZE		L	L1	L2	H	H1	D	D1	T	T1
UNIT	mm	inch	mm	mm	mm	mm	mm	mm	mm	BSPP	BSPP
SFF 08G	10	3/8	63	70	117	27	30	19.7	32	1/2	1/2
SFF 12G	12.5	1/2	70	84	137	36	36	24.5	38	3/4	3/4
SFF 16G	19	3/4	84	99	161	46	46	30	46	1	1

Dimensions for BESPT thread. Other threads available, see Order Codes opposite

VALVE-LESS TYPE MIDDLE & LOW PRESSURE COUPLING

SWT

Feature

- This valve-less model has no valve mechanism in the socket more in the plug. It is ideal if there is no need to shut up the pipe when disconnected.

The internal construction features a low friction resistance.

This series is well suited to high viscosity fluids, steam and granular material.

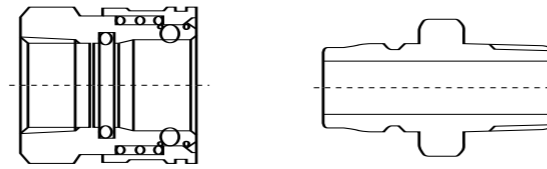
Both the socket and the plug are available with male screw connection, female screw connection and hose connection. Such connections can be combined as desired.

Numerous models are available in size, body material, O ring material and connection method.

You can select precisely the best model for your application.

Disconnecting

- While sleeve is retrieved, steel balls are free in radically, the plug can be removed. Since coupler has no valve, remaining fluid will flow out.



Connecting

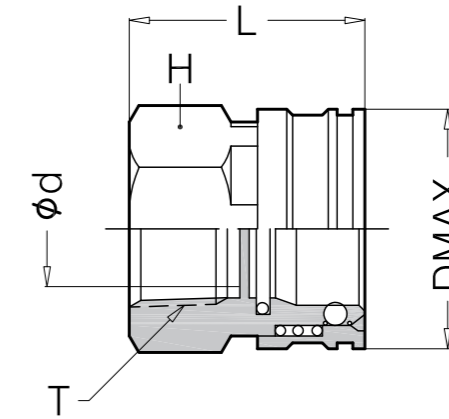
- While sleeve is retrieved, plug can be inserted. The plug is completely inserted, sleeve will return by spring and steel ball locks in place to secure connection. The O ring seals the fluid completely.

Notes

- The socket and plug could be connected only when the nominal sizes are the same. Working pressure is dependent to the nominal size. The larger the lower. Please specify the O ring material in accordance with your application.

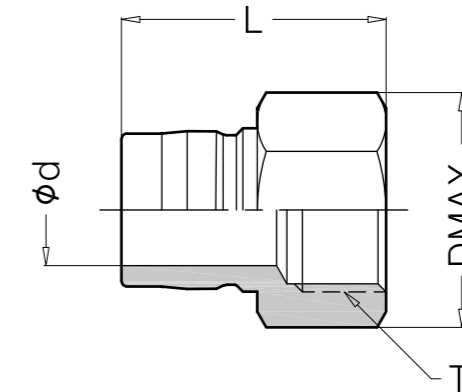
Specifications

Model	SWT-02	SWT-04	SWT-06	SWT-08	SWT-12	SWT-16	SWT-20	SWT-24	SWT-32
Nominal diameter	1/8	1/4	3/8	1/2	3/4	1"	1-1/4	1-1/2	2"
Material of socket / plug body	Brass C3604(BsBM) / Stainless steel SUS304								
Connection method	Socket	Female thread(F) / Male thread(M) / Hose nipple(H)							
	Plug								
Working pressure MPa (Max.working pressure)	Brass	5.0(7.5)			3.0(4.5)		2.0(3.0)		1.5(2.3)
	Stainless steel	7.5(10.0)			4.5(6.5)		3.0(4.0)		2.0(3.0)
O ring material: Working temperature range	Standard	Nitrile rubber(NBR) : -20°C to +80°C							
	Optional	Viton(FMP) : -20°C to +80°C Neoprene(CR) : -20°C to +80°C							
Applicable fluid	Brass	Gasoline, Heavy oil, Kerosene, Water, Steam							
	Stainless steel	Acidic fluids, Alkaline fluid, Brine							
Use	Hydraulic machine, Hydraulic piping, Water piping, Steam piping, Sea-water piping, Chemical plant, Chemicals, High pressure gas piping								



SF (Female thread)

Model	Thread size(R)	Dimensions(mm)				Mass(g)	
		L	Dmax	C	H	Brass	Stainless steel
SWT-02	1/8	25	18	5	14	25	24
SWT-04	1/4	32	24	7	19	55	50
SWT-06	3/8	35	28	12	23	90	83
SWT-08	1/2	42	35	13	39	160	148
SWT-12	3/4	50	45	19	35	320	300
SWT-16	1	59	58	26	46	525	490
SWT-20	1 1/4	64	69	36	54(Face width)	900	825
SWT-24	1 1/2	71	75	42	58(Face width)	1050	970
SWT-32	2	80	98	54	77(Face width)	2850	1660



PF (Female thread)

Model	Thread size(R)	Dimensions(mm)				Mass(g)	
		L	Dmax	C	H	Brass	Stainless steel
SWT-02	1/8	25	18	5	14	25	24
SWT-04	1/4	32	24	7	19	55	50
SWT-06	3/8	35	28	12	23	90	83
SWT-08	1/2	42	35	13	39	160	148
SWT-12	3/4	50	45	19	35	320	300
SWT-16	1	59	58	26	46	525	490
SWT-20	1 1/4	64	69	36	54(Face width)	900	825
SWT-24	1 1/2	71	75	42	58(Face width)	1050	970
SWT-32	2	80	98	54	77(Face width)	2850	1660

Specifications are subjects to change without notice.

MIDDLE & LOW PRESSURE POPPET SEAL TYPE COUPLING

SWK

Feature

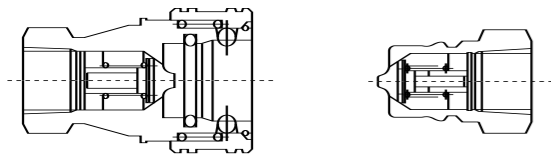
- Both the socket and plug features shut off valve. The moment coupler is disconnected, valves are closed and seal the liquid. Bodies are precision machined to secure the sealing with or without connecting.

Notes

- The chemical resistance varies dependent on the O ring and valve packing material. Select the material which is best suit for your application.

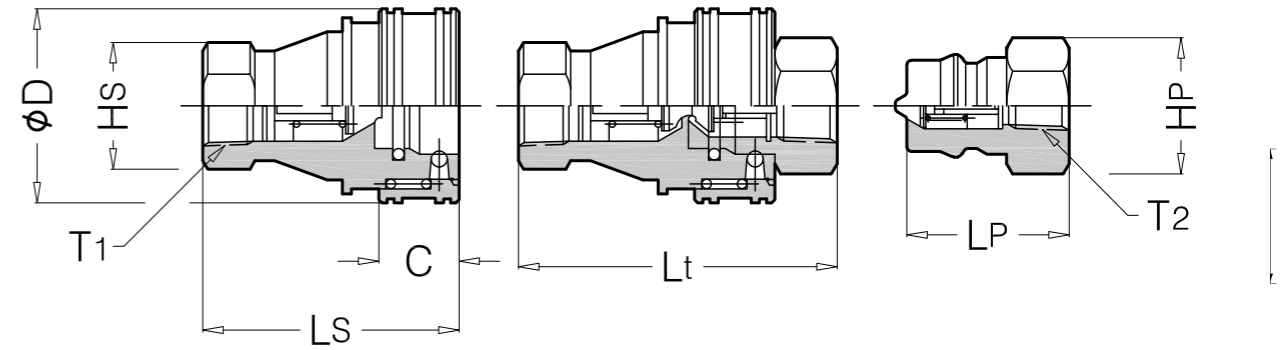
When disconnecting

- While sleeve is retrieved, steel balls are flee in radically, the plug will be popped off from the socket by the valve spring reaction. Valve are closed to secure from leak.



When connectiong

- While sleeve is retrieved, plug can be inserted. The plug is completely inserted, sleeve will return by spring and steel ball locks in place to secure connection. Valves are open it passage to allow the fluid flow. The O ring seals the fluid completely.



Model	Thread size(R)	Socket(S)					
		Dimensions				Mass(g)	
		Ls	HS(Face width)	D	C	Brass	Stainless steel
SWK-02	1/8	48	18/14	24	16.5	90	73
SWK-04	1/4	58	22/17	28	17.5	150	130
SWK-06	3/8	65	25/21	35	20	220	195
SWK-08	1/2	72	35/29	45	25	470	435
SWK-12	3/4	88	41/35	55	32	775	710
SWK-16	1	102	48/41	65	32.5	1090	1000
SWK-20	1 1/4	115	59/54	77.5	34	1730	1600
SWK-24	1 1/2	124	69/69	87.5	39	2550	2340
SWK-32	2	132	86/77	109	39	3950	3660

Model	Thread size(Rc)	Plug(P)				Assembly length Lt(mm)	Min. sectional area of passage(cm ²)
		Dimensions(mm)		Mass(g)			
		Lp	Hp(Hex)	Brass	Stainless steel		
SWK-02	1/8	29	14	20	18	60	0.15
SWK-04	1/4	36	17	38	33	71	0.2
SWK-06	3/8	40	21	65	55	80	0.5
SWK-08	1/2	44	29	135	125	89	1
SWK-12	3/4	52	35	230	210	105	1.9
SWK-16	1	62	41	380	345	125	2.9
SWK-20	1 1/4	70	54	650	600	141	4.5
SWK-24	1 1/2	75	65	965	890	151	7.7
SWK-32	2	80	77(F/W)	1630	1510	160	12.3

Specifications are subjects to change without notice.

Specifications

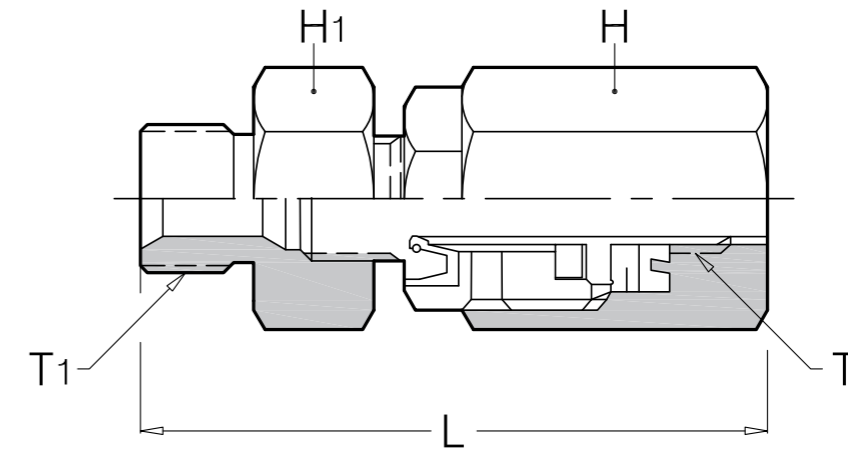
Model	SWK-02	SWK-04	SWK-06	SWK-08	SWK-12	SWK-16	SWK-20	SWK-24	SWK-32
Nominal diameter	1/8	1/4	3/8	1/2	3/4	1"	1-1/4	1-1/2	2"
Material of socket / plug body	Brass C3604(BsBM) / Stainless steel SUS304								
Connection method	Only female thread(both socket and plug)								
Working pressure MPa (Max.working pressure)	Brass	5.0(7.5)			3.0(4.5)		2.0(3.0)		1.5(2.3)
	Stainless steel	7.5(10.0)			4.5(6.5)		3.0(4.0)		2.0(3.0)
O ring material: Working temperature range	Standard	Nitrile rubber(NBR) : -20°C to +80°C							
	Optional	Viton(FMP) : -20°C to +80°C Neoprene(CR) : -20°C to +80°C							
Applicable fluid	Brass	Gasoline, Heavy oil, Kerosene, Water, Steam							
	Stainless steel	Acidic fluide, Alkaline fluid, Brine							
Use	Water piping, Sea-water piping, Oxygen piping, Acetylene piping, Air piping, Chemicals, Chemical plant, high pressure gas piping								

ROTARY COUPLING STRAIGHT

SRS 

Product specification

- Material high grade carbon steel surface treated Zinc-Nickel plate
- Seals standard in oil proof NBR (Nitril Rubber) and Teflon. On request Viton, Neoprene, EPDM or other seals
- Working temperatures with standard seals -20°C ~ 80°C



Specifications

Specifications	1 / 4	3 / 8	1 / 2	3 / 4	1
Body Size (in)	1 / 4	3 / 8	1 / 2	3 / 4	1
Rated Pressure (PSI)	5000	4000	4000	3000	3000
Rated Flow (GPM)	3	6	12	28	50
Temperature Range(std seals)	-20°C to +100°C				
Standard seal material is Nitrile					

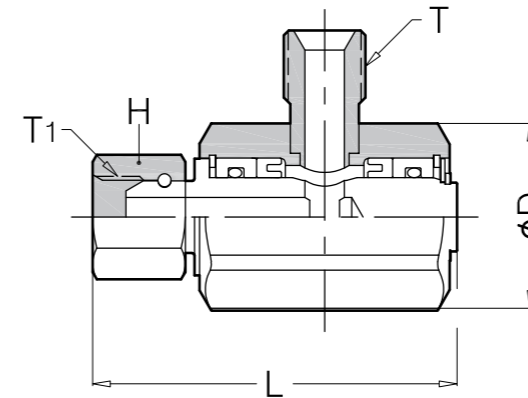
SIZE	L	H	H ₁	T	T ₁
UNIT	mm	mm	mm	BSPP	BSPP
SRS 04G	46	30	28	1/4	1/4
SRS 06G	91	30	28	3/8	3/8
SRS 08G	104	46	28	1/2	1/2
SRS 12G	122	55	32	3/4	3/4

ROTARY COUPLING ELBOW

SRE

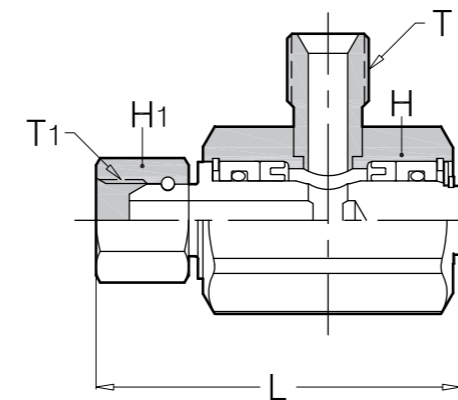
Product specification

- Material high grade carbon steel surface treated Zinc-Nickel plate
- Seals standard in oil proof NBR (Nitril Rubber) and Teflon. On request Viton, Neoprene, EPDM or other seals
- Working temperatures with standard seals -20°C ~ 80°C



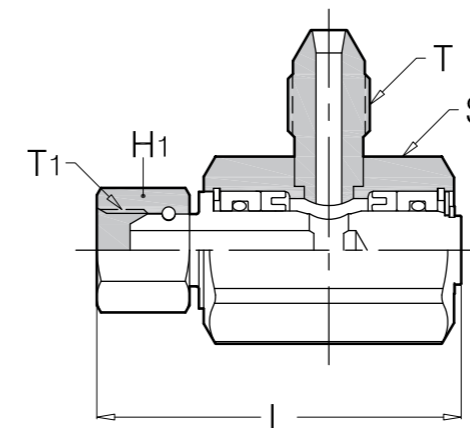
SRE (Rotary Fitting Elbow)-A

SIZE	L	H	D	T	T ₁
UNIT	mm	mm	mm	BSPP	BSPP
SRE-A 04G	49	17	28	1/4	1/4
SRE-A 06G	51	22	34	3/8	3/8
SRE-A 08G	70	27	40	1/2	1/2
SRE-A 12G	80	32	52	3/4	3/4



SRE (Rotary Fitting Elbow)-B

SIZE	L	H	D	T	T ₁
UNIT	mm	mm	mm	BSPT	BSPT
SRE-B 04R	74.25	24	22	1/4	1/4
SRE-B 06R	83	27	22	3/8	3/8
SRE-B 08R	92.5	36	32	1/2	1/2



SRE (Rotary Fitting Elbow)-C

SIZE	L	H	A	T	T ₁
UNIT	mm	mm	mm	BSPP	BSPP
SRE-C 04G	49	17	28	1/4	1/4
SRE-C 06G	51	22	34	3/8	3/8
SRE-C 08G	70	27	40	1/2	1/2
SRE-C 12G	80	32	52	3/4	3/4

Specifications

Body Size (in)	1 / 4	3 / 8	1 / 2	3 / 4	1
Rated Pressure (PSI)	5000	4000	4000	3000	3000
Rated Flow (GPM)	3	6	12	28	50
Temperature Range(std seals)	-20°C to +100°C				
Standard seal material is Nitrile					