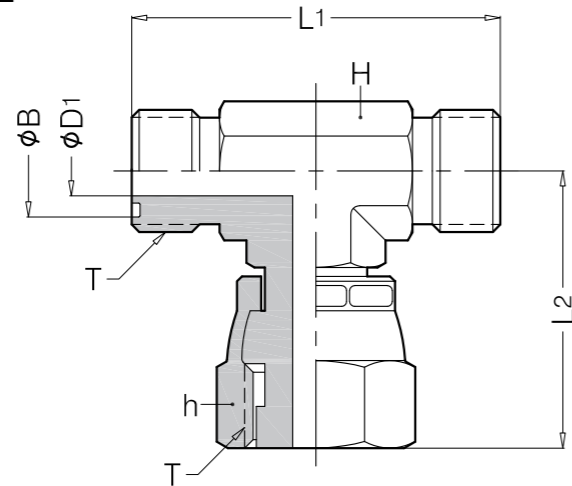


BRANCH TEE, ORFS SWIVEL

**JBTQ**

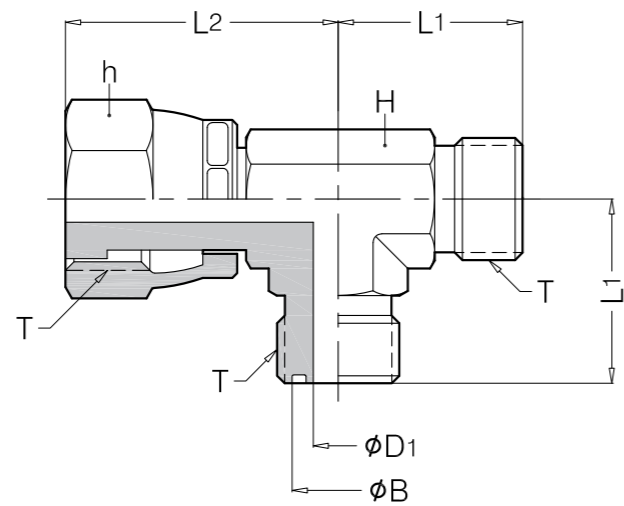


Part No.	T (UNF)	H	h	L1	L2	D1	B
JBTQ 09J	9/16	14	19	21.6	26.5	4.5	11
JBTQ 11J	11/16	19	22	25.2	29	6.5	12.8
JBTQ 13J	13/16	19	27	28	38	9.5	15.97
JBTQ 16J	1	27	30	33.5	41	12	19.2
JBTQ 19J	1 3/16	27	35	37.5	46.5	15.3	22.37
JBTQ 23J	1 7/16	36	41	41.7	53.5	20	27.1

**PLUG**

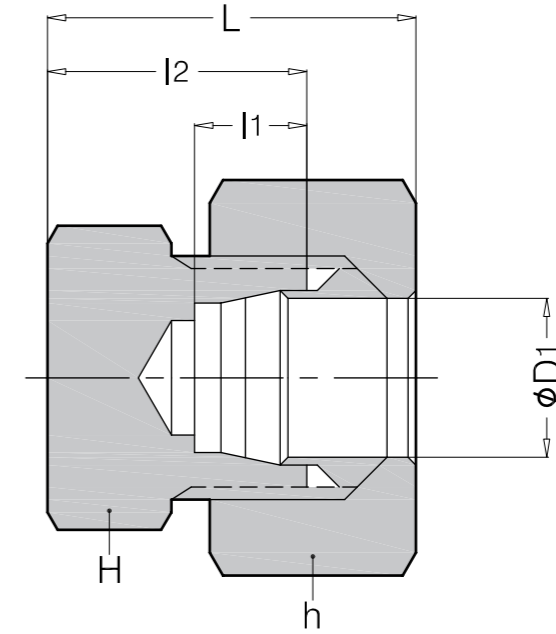
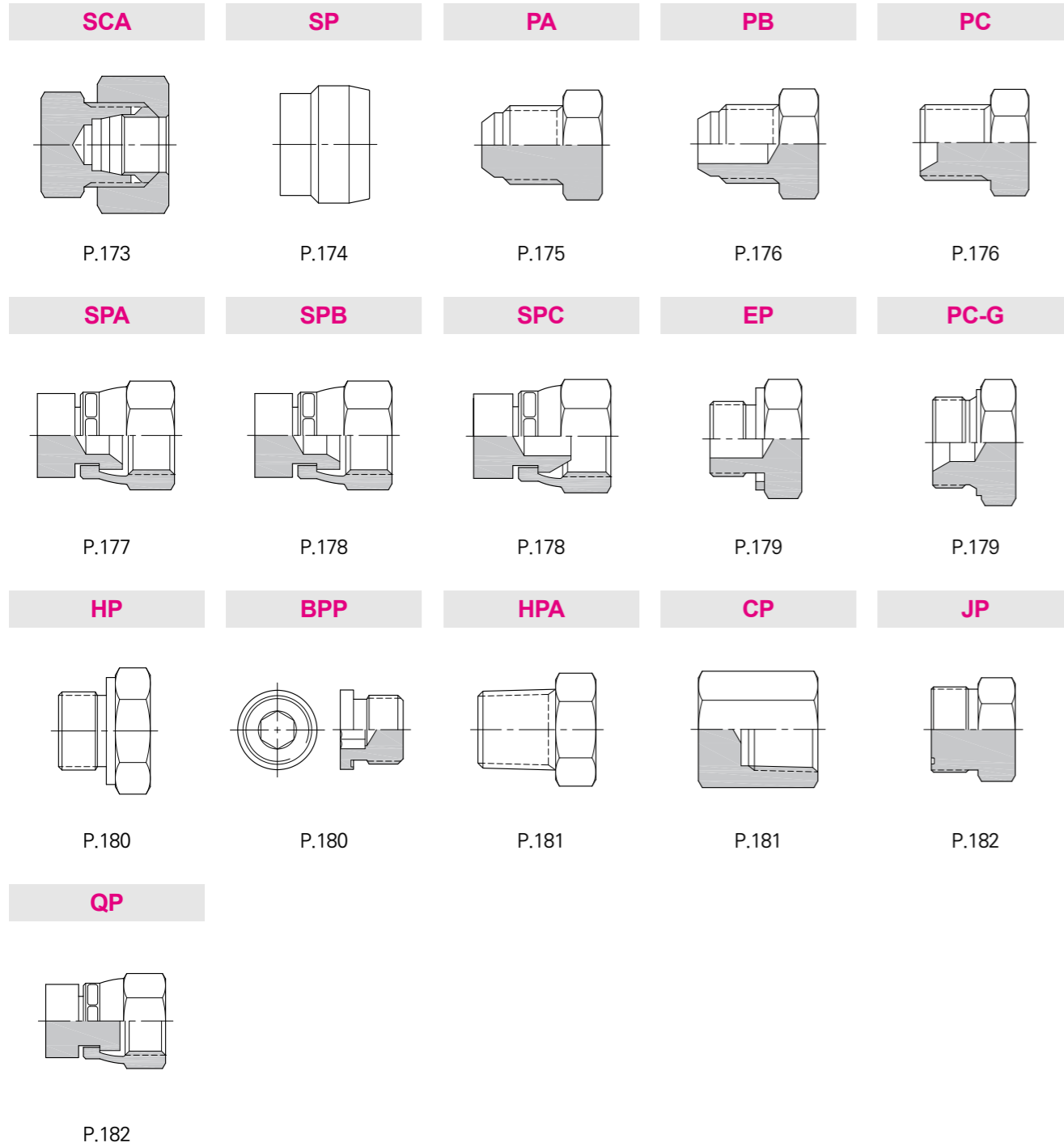
RUN TEE, ORFS SWIVEL

**JRTQ**



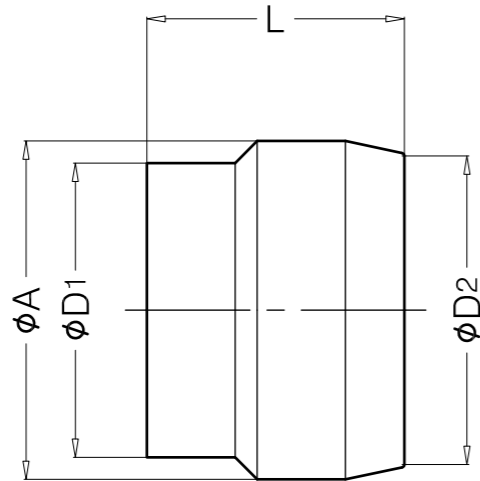
Part No.	T (UNF)	H	h	L1	L2	D1	B
JRTQ 09J	9/16	14	19	22.5	26.5	4.5	11
JRTQ 11J	11/16	19	22	26	29	6.5	12.8
JRTQ 13J	13/16	19	27	29	38	9.5	15.97
JRTQ 16J	1	27	30	34.5	41	12	19.2
JRTQ 19J	1 3/16	27	35	38.5	46.5	15.3	22.37
JRTQ 23J	1 7/16	36	41	42.5	53.5	20	27.1
JRTQ 27J	1 11/16	41	50	45.5	58	26	33.45

CAP  
SCA



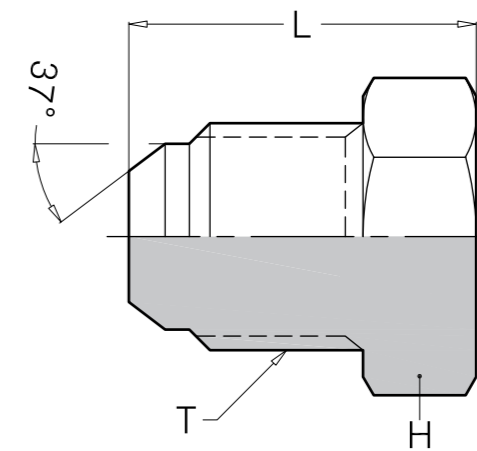
Part No.	Tube O.D	Width across flat		l <sub>1</sub>	l <sub>2</sub>	Approx
	D <sub>1</sub>	H	h			L
SCA06	6	14	14	7	18	28.5
SCA08	8	17	17	7	19	29.5
SCA10	10	17	19	7	20	31.5
SCA12	12	19	22	7	20	31.5
SCA15	15	24	27	7.5	22	34.5
SCA16	16	27	30	7.5	24	36.5
SCA18	18	27	32	8	24	36.5
SCA20	20	30	36	8	24	36.5
SCA22	22	32	36	9	25	37.5
SCA25	25	36	41	10	25	38.5
SCA28	28	41	46	10	28	42
SCA30	30	41	46	10	28	42.5
SCA32	32	46	50	11	30	44.5

PLUG  
SP



Part No.	Tube O.D		D <sub>2</sub>	A	L
	D <sub>1</sub>				
SP 06	6		8	9	13.5
SP 08	8		10	11	13.5
SP 10	10		12	13	14.5
SP 12	12		14	15	14.5
SP 15	15		17	18	16
SP 16	16		18	19	16
SP 18	18		20	21	17.5
SP 20	20		22	23	17.5
SP 22	22		24	25	17.5
SP 25	25		27.4	28.5	19
SP 28	28		30.4	31.5	19
SP 30	30		32.4	33.5	20
SP 32	32		34.4	35.5	20

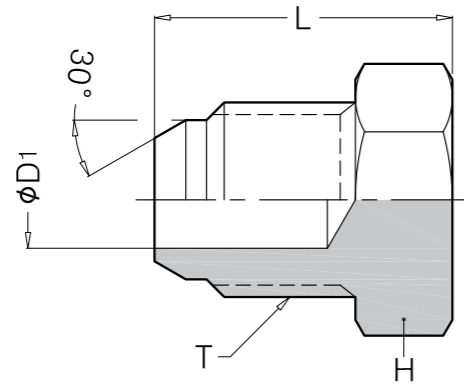
STRAIGHT PLUG 'A' TYPE  
PA



Part No	T (UNF)	H	L
PA 07U	7/16	12	20.5
PA 08U	1/2	14	20.5
PA 09U	9/16	17	21.5
PA 12U	3/4	22	24
PA 14U	7/8	24	28
PA 17U	1 1/16	30	32.5
PA 21U	1 5/16	36	34
PA 26U	1 5/8	46	37
PA 30U	1 7/8	50	42
PA 40U	2 1/2	65(63.5)	52

STRAIGHT PLUG 'B' TYPE

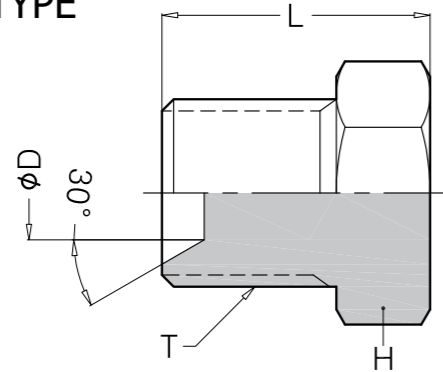
**PB**



Part No.	T (BSPP)	H	L
PB 02G	1/8	12	20
PB 04G	1/4	14	21
PB 06G	3/8	19	26
PB 08G	1/2	22	29
PB 12G	3/4	27	32
PB 16G	1	35	38

STRAIGHT PLUG 'B' TYPE

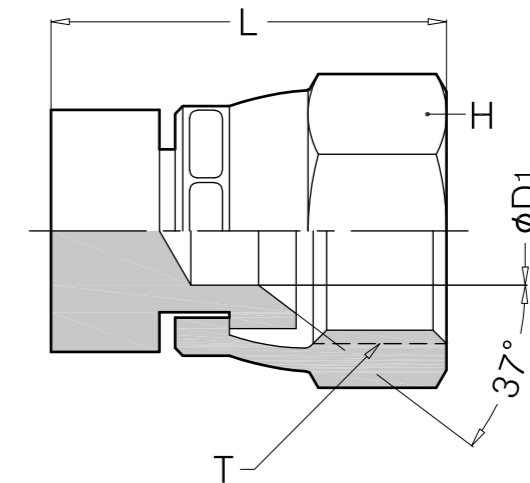
**PC**



Part No	T (BSPP)	D	H	L
PC 02G	1/8	3.5	14	14
PC 04G	1/4	5.5	14	19
PC 06G	3/8	8	19	23
PC 08G	1/2	11.5	22	27
PC 12G	3/4	16.7	32	28
PC 16G	1"	20	35	34
PC 20G	1 1/4	27	43	40
PC 24G	1 1/2	33.3	55	40
PC 32G	2"	46	70	45

PLUG FEMALE, SWIVEL NUT TYPE

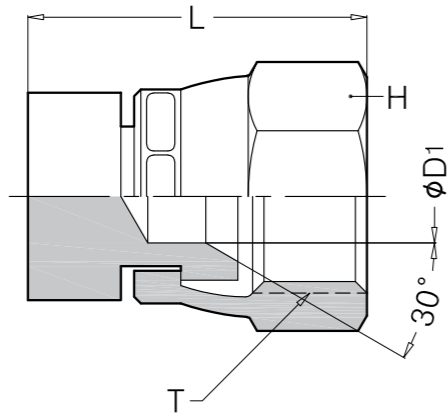
**SPA**



Part No.	T (UNF)	D <sub>1</sub>	H	L
SPA 07U	7/16	4.5	16	24
SPA 08U	1/2	5.5	16	25
SPA 09U	9/16	7.0	19	27
SPA 12U	3/4	10	22	31
SPA 14U	7/8	12	27	32
SPA 17U	1 1/16	15.5	32	34
SPA 19U	1 3/16	18	35	34
SPA 21U	1 5/16	21	38	39
SPA 26U	1 5/8	27.5	50	40
SPA 30U	1 7/8	33	55	44

PLUG FEMALE, SWIVEL NUT TYPE

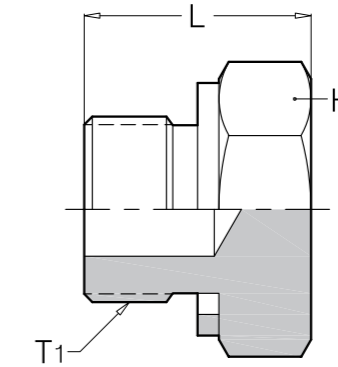
**SPB**



Part No.	T (BSPP)	D <sub>1</sub>	H	L
SPB 04G	1/4	5.5	19	23.2
SPB 06G	3/8	8	22	26.8
SPB 08G	1/2	11.5	27	30.16
SPB 12G	3/4	15.5	32	36
SPB 16G	1	20	41	40.5
SPB 20G	1 1/4	27	50	43
SPB 24G	1 1/2	35	55	46.5

ED PLUG

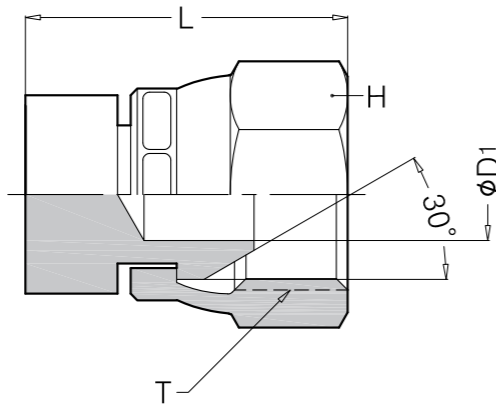
**EP**



Part No.	T (BSPP)	H	L
EP 04G	1/4	19	21
EP 06G	3/8	22	22
EP 08G	1/2	27	27
EP 12G	3/4	36	32
EP 16G	1	41	36
EP 20G	1 1/4	50	41
EP 24G	1 1/2	55	42

PLUG FEMALE, SWIVEL NUT TYPE

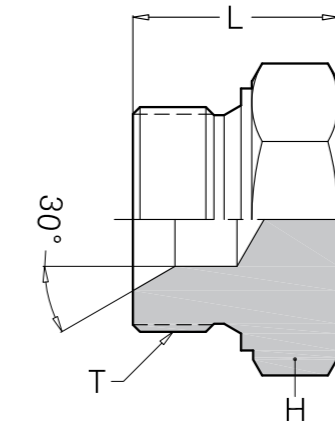
**SPC**



Part No.	T (BSPP)	D <sub>1</sub>	H	L
SPC 02G	1/8	4.5	14	21
SPC 04G	1/4	5.5	19	24
SPC 06G	3/8	8	22	27.6
SPC 08G	1/2	11.5	27	29.9
SPC 12G	3/4	15.5	32	34.8
SPC 16G	1	24.6	41	38.7
SPC 20G	1 1/4	26	50	43.5
SPC 24G	1 1/2	33	55	48

MALE PLUG-G

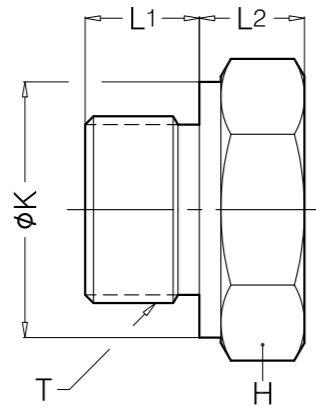
**PC-G**



Part No.	T (BSPP)	H	L
PC-G04G	1/4	19	21
PC-G06G	3/8	22	22
PC-G08G	1/2	27	23
PC-G12G	3/4	36	32
PC-G16G	1	41	36
PC-G20G	1 1/4	50	38
PC-G24G	1 1/2	55	37

HEX HEAD PLUG

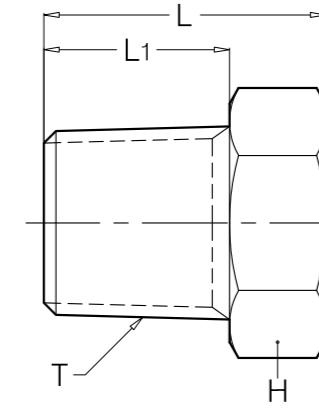
HP



Part No.	T (BSPP)	L1	L2	K	H
HP 02G	1/8	8.5	7	14	14
HP 04G	1/4	12	9	19	19
HP 06G	3/8	12	10	22	22
HP 08G	1/2	14	13	27	27
HP 12G	3/4	16	16	36	36
HP 16G	1	18	18	41	41
HP 20G	1 1/4	20	21	50	50
HP 24G	1 1/2	22	21	55	55
HP 32G	2	25	23	75	75

HEX HEAD PLUG

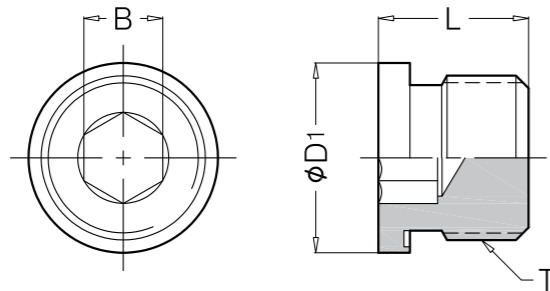
HPA



Part No.	T (BSPT)	L1	L	H
HPA 04R	1/4	14	20.5	14
HPA 06R	3/8	16	23	19
HPA 08R	1/2	19	27	22
HPA 12R	3/4	20	32	27
HPA 16R	1	23	35	35
HPA 20R	1 1/4	25.5	41.5	43
HPA 24R	1 1/2	29	43	50
HPA 32R	2	31	51	63.5

BLANKING PLUG FOR PORTS

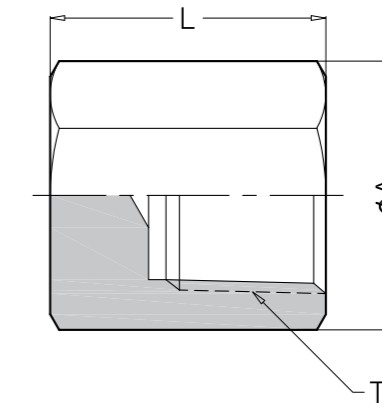
BPP



Part No.	T (BSPP)	D1	L	B
BPP 02GED	1/8	14	12.3	5
BPP 04GED	1/4	19	17	6
BPP 06GED	3/8	22	17	8
BPP 08GED	1/2	27	19	10
BPP 12GED	3/4	32	21.3	12
BPP 16GED	1	40	22.5	17
BPP 20GED	1 1/4	50	22.5	22
BPP 24GED	1 1/2	55	22.8	24

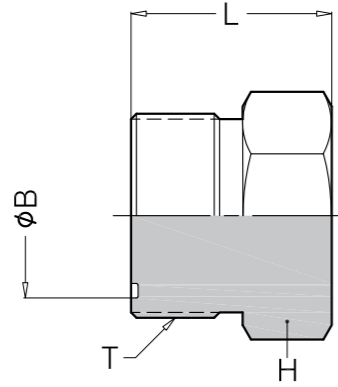
CAP

CP



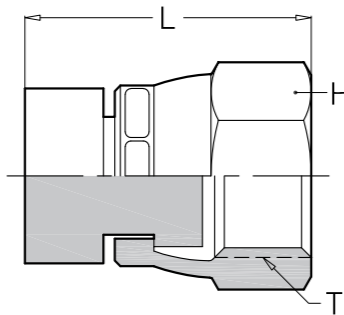
Part No.	T (BSPT)	A	L
CP 02R	1/8	16	19
CP 04R	1/4	20	25.5
CP 06R	3/8	24	25.5
CP 08R	1/2	30	32
CP 12R	3/4	36	36.5
CP 16R	1	46	41
CP 20R	1 1/4	60	44.5
CP 24R	1 1/2	65	48
CP 32R	2	80	60.5

PLUG  
JP



Part No	T(UNF)	B	H	L
JP 09J	9/16	11	17	16.5
JP 11J	11/16	12.8	19	19
JP 13J	13/16	15.97	22	22
JP 16J	1"	19.2	27	26
JP 19J	1 3/16	22.37	32	27.5
JP 23J	1 7/16	27.1	41	28
JP 27J	1 11/16	33.45	46	28
JP 32J	2"	41.37	55	31.5

PLUG  
QP



Part No.	T (UNF)	H	L
QP 09J	9/16	19	23
QP 11J	11/16	22	28
QP 13J	13/16	24	31
QP 16J	1	30	36
QP 19J	1 3/16	35	39
QP 23J	1 7/16	41	43
QP 27J	1 11/16	50	44
QP 32J	2	60	48



TUBE FITTING (DIN 2353, JIS)



Based Standard DIN 3851 SEKWANG HI-TECH. DIN fittings have been improved to comply with current standard requirements.