



## FLANGE



We promise to make every effort to produce better quality fittings and create new technologies.



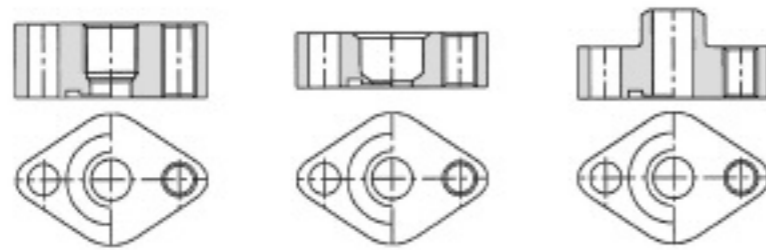
**SFSL** SQUARE SOCKET WELD FLANGE **SOCKET WELD FLANGE-90°**

P.100



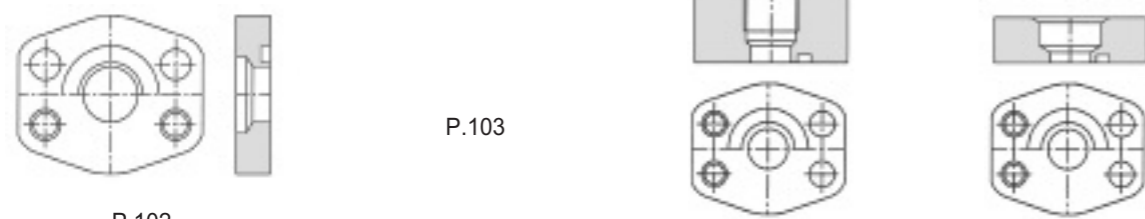
**STBF** **BSPT TYPE** **SOCKET WELD TYPE** **WELD ON TYPE**

P.101



**SSWF** **STWF** **BSPT TYPE** **SOCKET WELD TYPE**

P.102



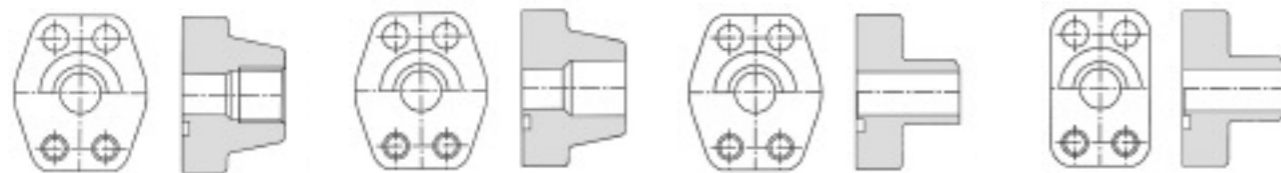
**STBT** **SWBT** **SWOF** **SRWF**

P.104

P.105

P.106

P.107



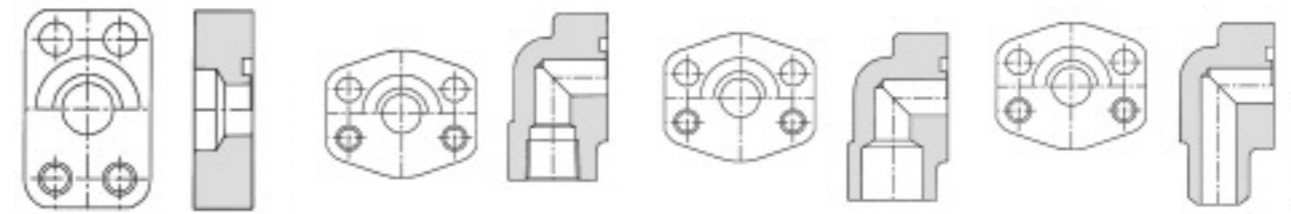
**SRSW** **SWFL** **SWOFL**

P.108

P.109

P.110

P.111



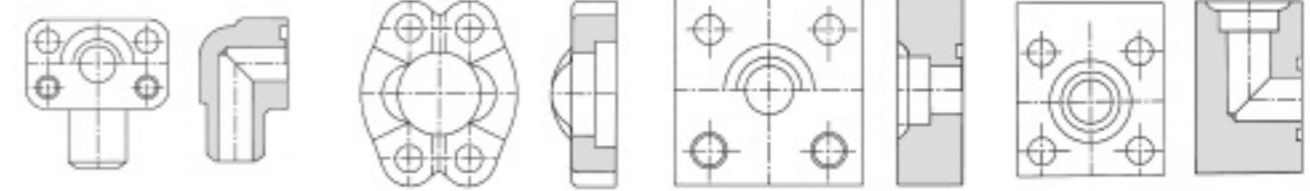
**SWRFL** **SSF** **SFSW** **STFL**

P.112

P.113

P.114

P.115



**SFTL** **SQUARE THREAD FLANGE-BSPT** **THREAD FLANGE-90° BSPT**

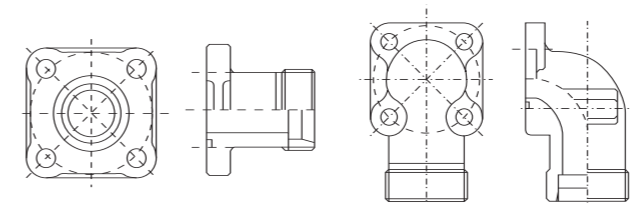
P.116



**SBFG** **SBFW**

P.117

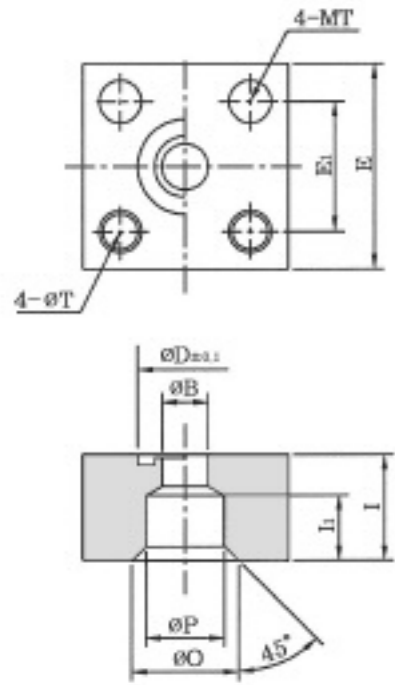
P.118



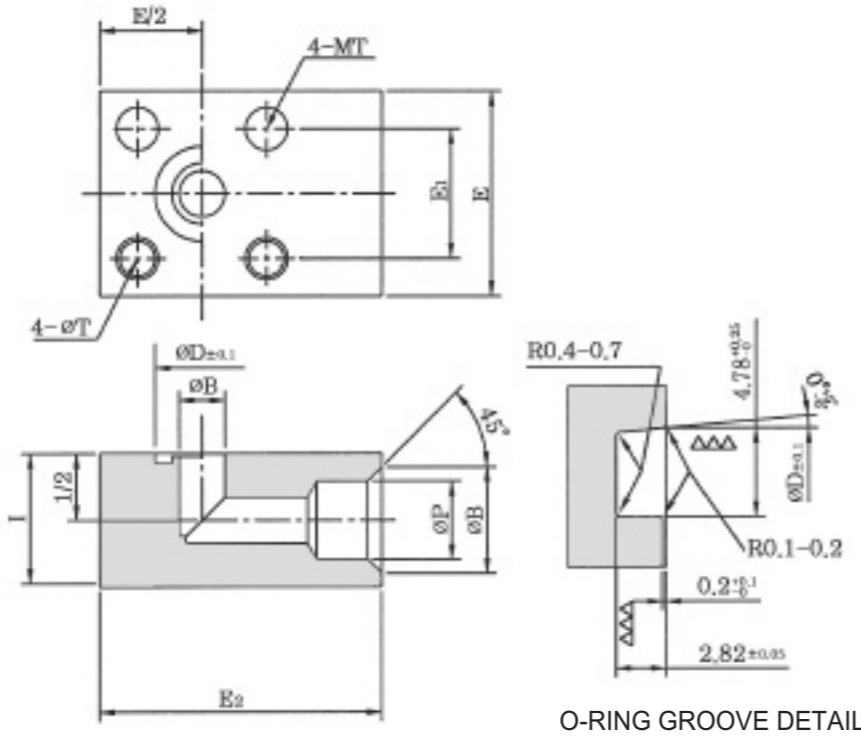


## SQUARE & ELBOW FLANGE-SOCKET TYPE SFSL

SQUARE SOCKET WELD FLANGE



SOCKET WELD FLANGE-90°



O-RING GROOVE DETAIL

SQUARE SOCKET WELD FLANGE

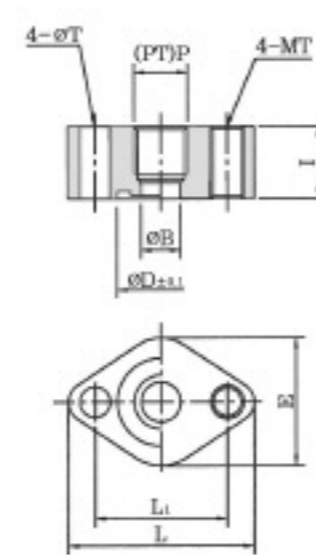
Part No.	NORMAL FLANGE	SIZE PIPE	P	B	D	O	I	I <sub>1</sub>	E	E <sub>1</sub>	T	O-RING AS568
SFSL-20S	20A	27.7	27.7	19	31.52	35.7	18	13.5	58	36.6	φ 11	- 214
SFSL-25S	25A	34.5	34.5	25	39.45	42.5	25	16.0	76	50.8	M12	- 219
SFSL-32S	32A	42.7	43.2	32	50.62	51.2	25	16.0	76	50.8	φ 13.5	- 224
SFSL-40S	40A	48.6	49.2	38	56.97	61.2	31	22.0	102	69.8	M16	- 226
SFSL-50S	50A	60.5	61.1	51	66.50	73.1	31	22.0	102	69.8	φ 17.5	- 229
SFSL-65S	65A	76.3	77.1	63	82.37	89.1	38	27.0	140	95.2	M22	- 234
SFSL-80S	80A	89.1	90.0	73	95.07	102	38	27.0	140	95.2	φ 24	- 238

SOCKET WELD FLANGE-90°

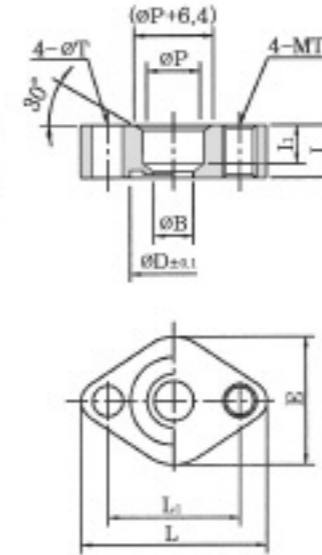
Part No.	NORMAL FLANGE	SIZE PIPE	P	B	D	O	I	I <sub>1</sub>	E	E <sub>1</sub>	E <sub>2</sub>	T	O-RING AS568
SFSL-20SS	20A	27.7	27.7	19	31.52	35.7	42	13.5	58	36.6	80	φ 11	- 214
SFSL-25SS	25A	34.5	34.5	25	39.45	42.5	51	16.0	76	50.8	105	M12	- 219
SFSL-32SS	32A	42.7	43.2	32	50.62	51.2	59	16.0	76	50.8	105	φ 13.5	- 224
SFSL-40SS	40A	48.6	49.2	38	56.97	61.2	76	22.0	102	69.8	130	M16	- 226
SFSL-50SS	50A	60.5	61.1	51	66.50	73.1	76	22.0	102	69.8	130	φ 17.5	- 229
SFSL-65SS	65A	76.3	77.1	63	82.37	89.1	102	27.0	140	95.2	181	M22	- 234
SFSL-80SS	80A	89.1	90.0	73	95.07	102	124	27.0	140	95.2	181	φ 24	- 238

## TWO BOLT FLANGE STBF

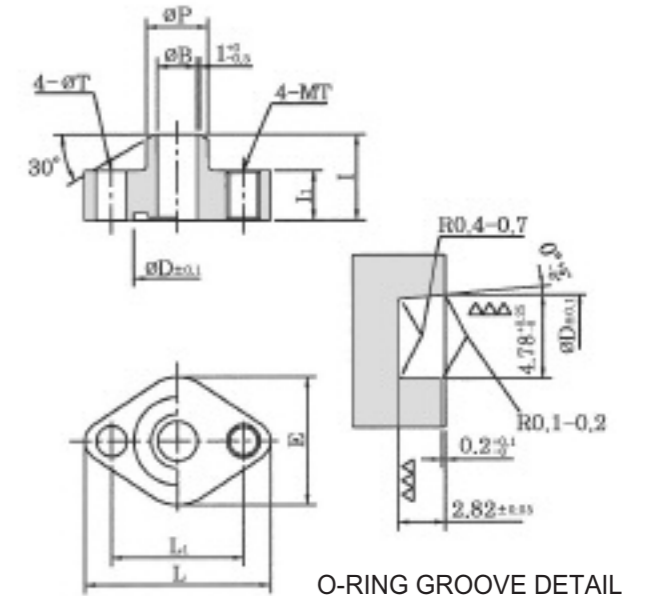
BSPT TYPE



SOCKET WELD TYPE



WELD ON TYPE



O-RING GROOVE DETAIL

BSPT TYPE

Part No.	IN PIPE	P	B	D	I	E	L	L <sub>1</sub>	T	O-RING AS568
STBF-15T	φ 21.7	1/2	14.3	31.52	26	46	67	47.6	M10	- 214
STBF-20T	φ 27.2	3/4	19.4	37.87	28	50	71.5	52.4	φ 11	- 218
STBF-25T	φ 34.0	1	25	37.87	32	50	71.5	52.4	φ 11	- 218
STBF-32T	φ 42.7	1 1/4	32.9	50.62	36	70	95	69.9	M12	- 224
STBF-40T	φ 48.6	1 1/2	38.4	50.62	42	70	95	69.9	φ 13.5	- 224

SOCKET WELD TYPE

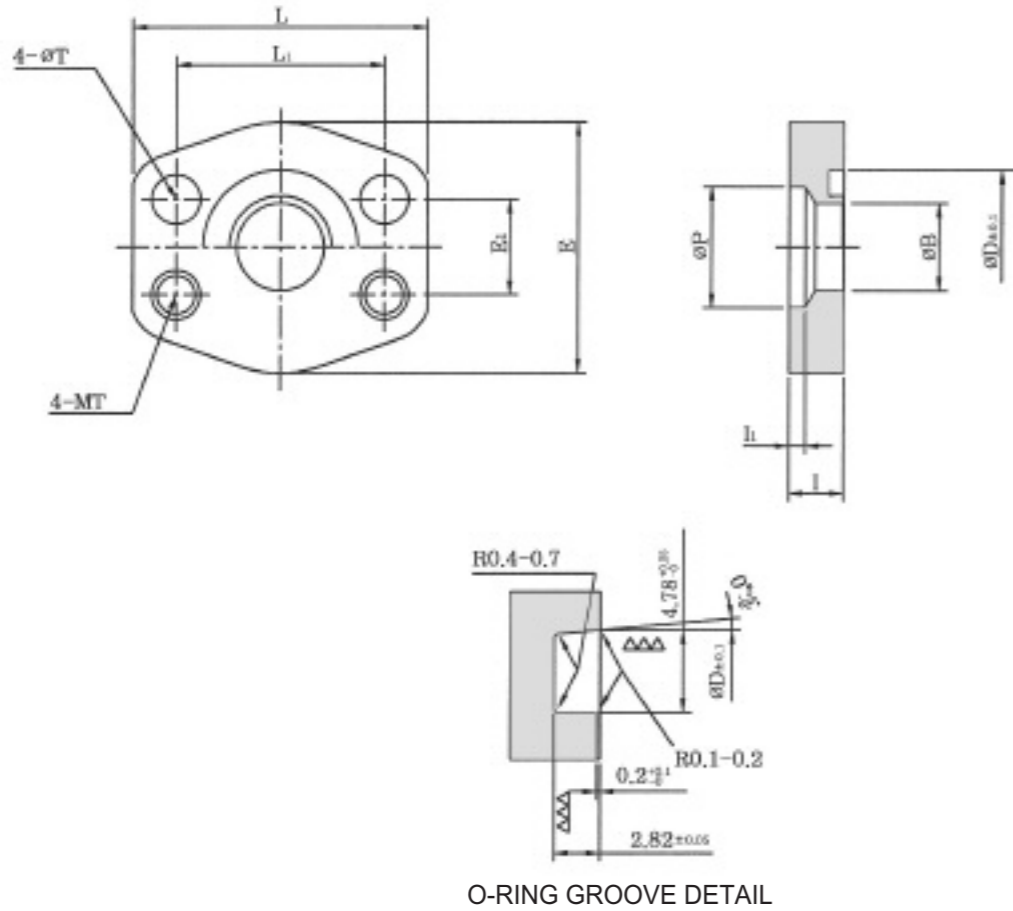
Part No.	IN PIPE	P	B	D	I	I <sub>1</sub>	E	L	L <sub>1</sub>	T	O-RING AS568
STBF-15S	φ 21.7	22.2	14.3	31.52	19	14	46	67	47.6	M10	- 214
STBF-20S	φ 27.2	27.7	19.4	37.87	23	16	50	71.5	52.4	φ 11	- 218
STBF-25S	φ 34.0	34.5	25	37.87	28.5	17.5	50	71.5	52.4	φ 11	- 218
STBF-32S	φ 42.7	43.2	32.9	50.62	32	19	70	95	69.9	M12	- 224
STBF-40S	φ 48.6	49.1	38.4	50.62	36	22	70	95	69.9	φ 13.5	- 224

WELD ON TYPE

Part No.	IN PIPE	P	B	D	I	I <sub>1</sub>	E	L	L <sub>1</sub>	T	O-RING AS568
STBF-15W	φ 21.7	1/2	14.3	31.52	38	18	46	67	47.6	M10	- 214
STBF-20W	φ 27.2	3/4	19.4	37.87	38	18	50	71.5	52.4	φ 11	- 218
STBF-25W	φ 34.0	1	25	37.87	38	18	50	71.5	52.4	φ 11	- 218
STBF-32W	φ 42.7	1 1/4	32.9	50.62	42	22	70	95	69.9	M12	- 224
STBF-40W	φ 48.6	1 1/2	38.4	50.62	45	25	70	95	69.9	φ 13.5	- 224

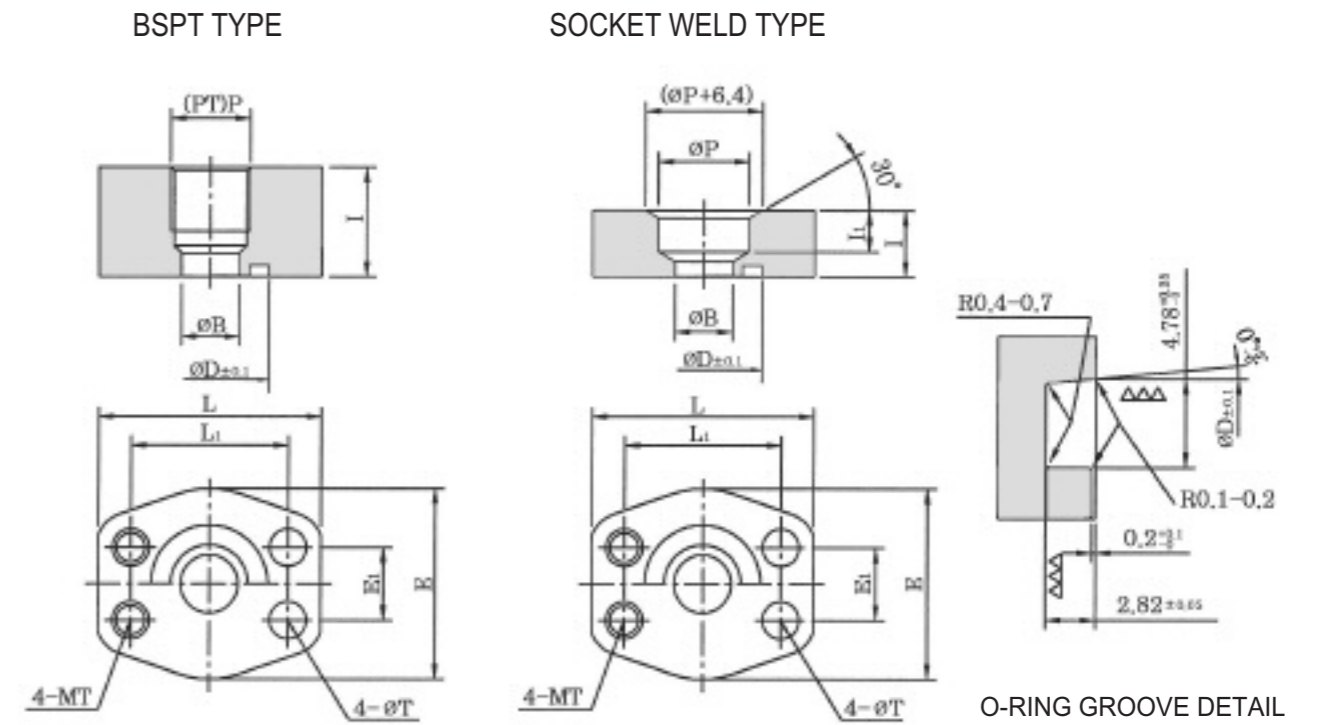


## SOCKET WELD FLANGE SSWF



Part No.	IN PIPE	P	B	D	I	l <sub>1</sub>	E	E <sub>1</sub>	L	L <sub>1</sub>	T	O-RING AS568
SSWF-15S	φ 21.7	22.2	16	28.35	10	3	46	17.5	54	38.1	M8 / φ 9	- 212
SSWF-20S	φ 27.2	27.7	21.5	31.52	12	4	52	22.2	65	47.6	M10 / φ 11	- 214
SSWF-25S	φ 34.0	34.5	28	39.45	12	4	60	26.2	70	52.4		- 219
SSWF-32S	φ 42.7	43.2	36	50.62	12	4	73	30.2	79	58.7	M12 / φ 13.5	- 224
SSWF-40S	φ 48.6	49.1	42	56.97	15	4	82	35.7	94	69.9		- 226
SSWF-50S	φ 60.5	61.0	53	66.50	15	4	94	42.9	102	77.8	φ 13.5	- 229
SSWF-65S	φ 76.3	77.0	68	82.37	15	4	106	50.8	114	88.9		- 234
SSWF-80S	φ 89.1	90.0	80	95.07	20	5	130	61.9	135	106.4	M16 / φ 17.5	- 238
SSWF-90S	φ 101.6	102.4	93	107.77	20	5	136	69.9	152	120.7		- 242
SSWF-100S	φ 114.3	115.1	106	123.65	25	6	146	77.8	162	130.2	φ 17.5	- 247
SSWF-125S	φ 139	140.6	130	145.87	25	6	170	92.1	190	152.4		- 254

## THREAD FLANGE, SOCKET WELD FLANGE STWF



BSPT TYPE

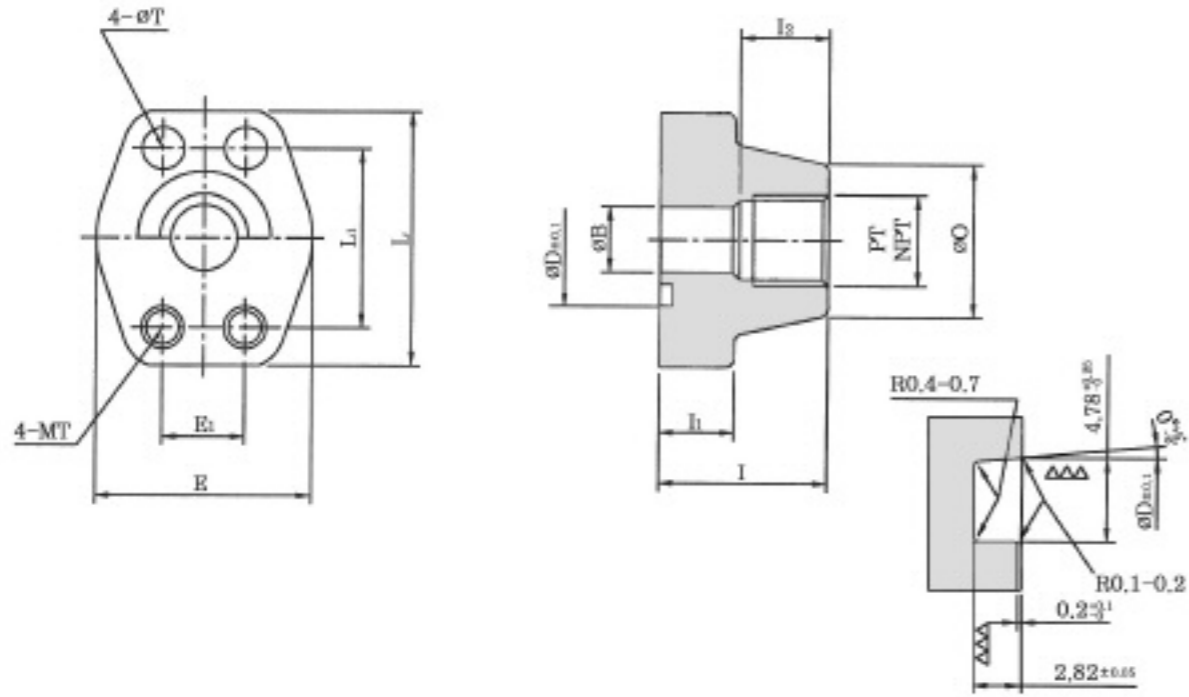
Part No.	IN PIPE	P	B	D	I	E	E <sub>1</sub>	L	L <sub>1</sub>	T	O-RING AS568
STWF-15T	φ 21.7	1/2	14	26.75	26	46	17.5	54	38.1	M8 / φ 9	- 211
STWF-20T	φ 27.2	3/4	19	31.52	28	52	22.2	65	47.6	M10 / φ 11	- 214
STWF-25T	φ 34.0	1	25	39.45	32	60	26.2	70	52.4		- 219
STWF-32T	φ 42.7	1 1/4	32	50.60	36	73	30.2	79	58.7	M12 / φ 13.5	- 222
STWF-40T	φ 48.6	1 1/2	38	56.97	42	82	35.7	94	69.9		- 226
STWF-50T	φ 60.5	2	51	66.50	42	94	42.9	102	77.8	φ 13.5	- 229
STWF-65T	φ 76.3	2 1/2	63	82.37	48	106	50.8	114	88.9		- 234
STWF-80T	φ 89.1	3	73	95.07	48	130	61.9	135	106.4	M16 / φ 17.5	- 238

SOCKET WELD TYPE

Part No.	IN PIPE	P	B	D	I	l <sub>1</sub>	E	E <sub>1</sub>	L	L <sub>1</sub>	T	O-RING AS568
STWF-15T	φ 21.7	22.2	14	26.75	16	3	46	17.5	54	38.1	M8 / φ 9	- 211
STWF-20T	φ 27.2	27.7	19	31.52	19	4	52	22.2	65	47.6	M10 / φ 11	- 214
STWF-25T	φ 34.0	34.5	25	39.45	23	4	60	26.2	70	52.4		- 219
STWF-32T	φ 42.7	43.2	32	50.62	12	4	73	30.2	79	58.7	M12 / φ 13.5	- 222
STWF-40T	φ 48.6	49.1	38	56.97	15	4	82	35.7	94	69.9		- 226
STWF-50T	φ 60.5	61.0	51	66.50	15	4	94	42.9	102	77.8	φ 13.5	- 229
STWF-65T	φ 76.3	77.0	63	82.37	15	4	106	50.8	114	88.9		- 234
STWF-80T	φ 89.1	90.0	73	95.07	20	5	130	61.9	135	106.4	M16 / φ 17.5	- 238
STWF-90T	φ 101.6	102.4	89	107.77	20	5	136	69.9	152	120.7		- 242
STWF-100T	φ 114.3	130.2	99	123.65	25	6	146	77.8	162	130.2	φ 17.5	- 247

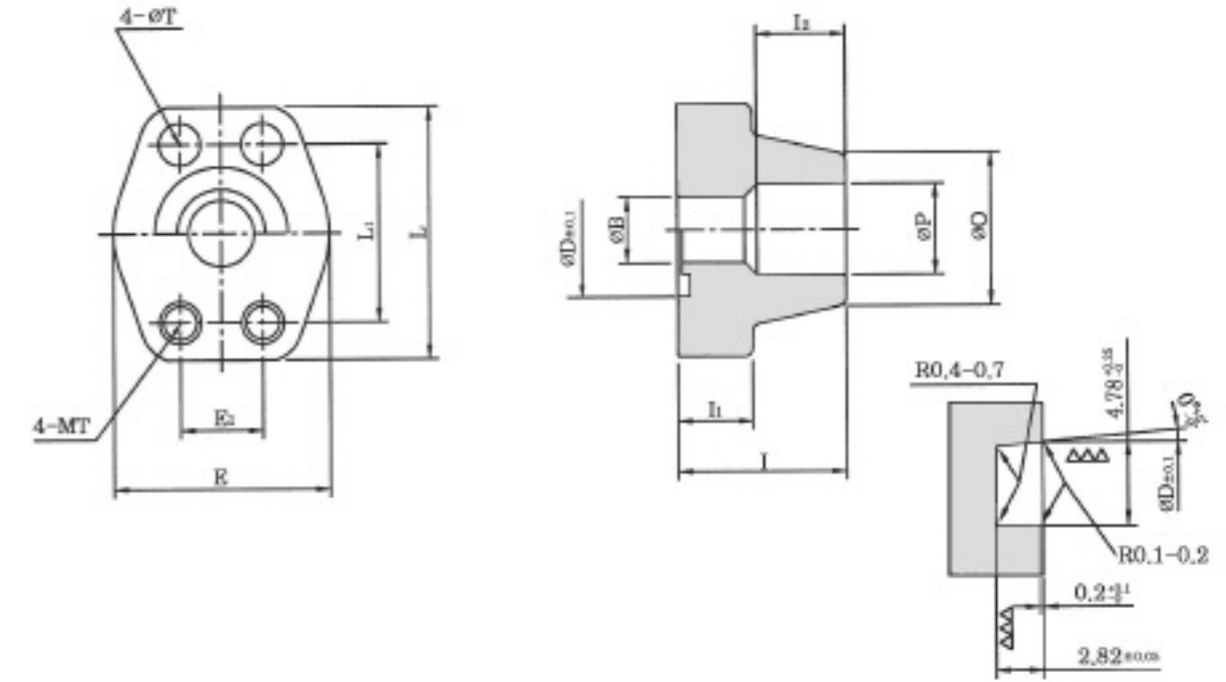


### THREAD BOSS TYPE FLANGE-BEST STBT



O-RING GROOVE DETAIL

### SOCKET WELD BOSS TYPE FLANGE SWBT



O-RING GROOVE DETAIL

3000PSI

Part No.	IN PIPE	P	B	D	O	I	I <sub>1</sub>	I <sub>2</sub>	E	E <sub>1</sub>	L	L <sub>1</sub>	T	O-RING AS568
STBT-15T	φ 21.7	1/2	13	26.75	32	36	16	19	46	17.5	54	38.1	M8 / φ 9	-211
STBT-20T	φ 27.2	3/4	19	31.52	38	38	18	19	52	22.2	65	47.6	φ 9	-214
STBT-25T	φ 34.0	1	25	39.45	44	38	18	19	60	26.2	70	52.4	M10 / φ 11	-219
STBT-32T	φ 42.7	1 3/4	32	50.62	52	42	22	22	73	30.2	79	58.7	φ 11	-222
STBT-40T	φ 48.6	1 1/2	38	56.97	58	45	25	24	82	35.7	94	69.9		-226
STBT-50T	φ 60.5	2	51	66.50	72	50	25	30	94	42.9	102	77.8	M12 / φ 13.5	-229
STBT-65T	φ 76.3	2 1/2	63	82.37	88	50	25	30	106	50.8	114	88.9	φ 13.5	-234
STBT-80T	φ 89.1	3	73	95.07	101	53	28	34	130	61.9	135	106.4		-238
STBT-90T	φ 101.6	3 1/2	89	107.77	114	53	28	34	136	69.9	152	120.7	M16 / φ 17.5	-242
STBT-100T	φ 114.3	4	99	123.65	126	53	28	34	146	77.8	162	130.2	φ 17.5	-247

6000PSI

Part No.	IN PIPE	P	B	D	O	I	I <sub>1</sub>	I <sub>2</sub>	E	E <sub>1</sub>	L	L <sub>1</sub>	T	O-RING AS568
STBT-10TT	φ 17.3	3/8	11	26.75	28	36	16	19	46	18.2	54	40.5	M8 / φ 9	-211
STBT-20TT	φ 27.2	3/4	19	31.52	38	42	22	22	55	23.8	71	50.8	M10 / φ 11	-214
STBT-25TT	φ 34.0	1	25	39.45	44	45	25	24	65	27.8	81	57.2	M12 / φ 13.5	-219
STBT-32TT	φ 42.7	1 3/4	32	50.62	55	48	28	25	78	31.8	94	66.7	M14 / φ 15.5	-222
STBT-40TT	φ 48.6	1 1/2	38	56.97	60	50	30	28	94	36.5	112	79.4	M16 / φ 17.5	-226
STBT-50TT	φ 60.5	2	51	66.50	72	63	38	30	114	44.5	134	96.8	M20 / φ 22	-229

3000PSI

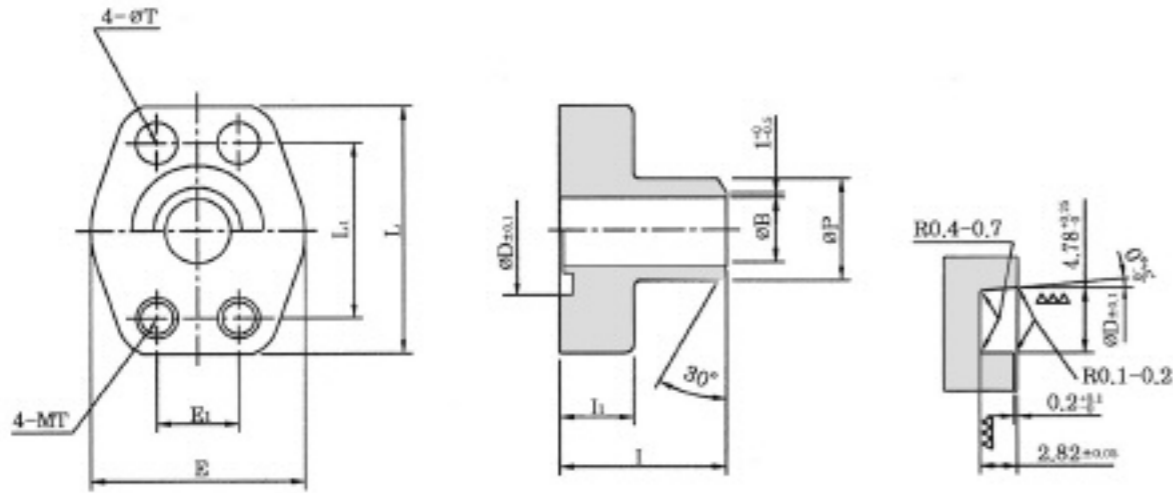
Part No.	IN PIPE	P	B	D	O	I	I <sub>1</sub>	I <sub>2</sub>	E	E <sub>1</sub>	L	L <sub>1</sub>	T	O-RING AS568
SWBT-15S	φ 21.7	22.2	13	26.75	32	36	16	19	46	17.5	54	38.1	M8 / φ 9	-211
SWBT-20S	φ 27.2	27.7	19	31.52	38	38	18	19	52	22.2	65	47.6		-214
SWBT-25S	φ 34.0	34.5	25	39.45	44	38	18	19	60	26.2	70	52.4	M10 / φ 11	-219
SWBT-32S	φ 42.7	43.2	32	50.62	52	42	22	22	73	30.2	79	58.7	φ 11	-222
SWBT-40S	φ 48.6	49.1	38	56.97	58	45	25	24	82	35.7	94	69.9		-226
SWBT-50S	φ 60.5	61.0	51	66.50	72	50	25	30	94	42.9	102	77.8	M12 / φ 13.5	-229
SWBT-65S	φ 76.3	77.0	63	82.37	88	50	25	30	106	50.8	114	88.9	φ 13.5	-234
SWBT-80S	φ 89.1	90.0	73	95.07	101	53	28	34	130	61.9	135	106.4		-238
SWBT-90S	φ 101.6	102.4	89	107.77	114	53	28	34	136	69.9	152	120.7	M16 / φ 17.5	-242
SWBT-100S	φ 114.3	115.1	99	123.65	126	53	28	34	146	77.8	162	130.2	φ 17.5	-247

6000PSI

Part No.	IN PIPE	P	B	D	O	I	I <sub>1</sub>	I <sub>2</sub>	E	E <sub>1</sub>	L	L <sub>1</sub>	T	O-RING AS568
SWBT-10SS	φ 17.3	17.8	11	26.75	28	36	16	19	46	18.2	54	40.5	M8 / φ 9	-211
SWBT-20SS	φ 27.2	27.7	19	31.52	38	42	22	22	55	23.8	71	50.8	M10 / φ 11	-214
SWBT-25SS	φ 34.0	34.5	25	39.45	44	45	25	24	65	27.8	81	57.2	M12 / φ 13.5	-219
SWBT-32SS	φ 42.7	43.2	32	50.62	55	48	28	25	78	31.8	94	66.7	M14 / φ 15.5	-222
SWBT-40SS	φ 48.6	49.1	38	56.97	60	50	30	28	94	36.5	112	79.4	M16 / φ 17.5	-226
SWBT-50SS	φ 60.5	61.0	51	66.50	72	63	38	30	114	44.5	134	96.8	M20 / φ 22	-229

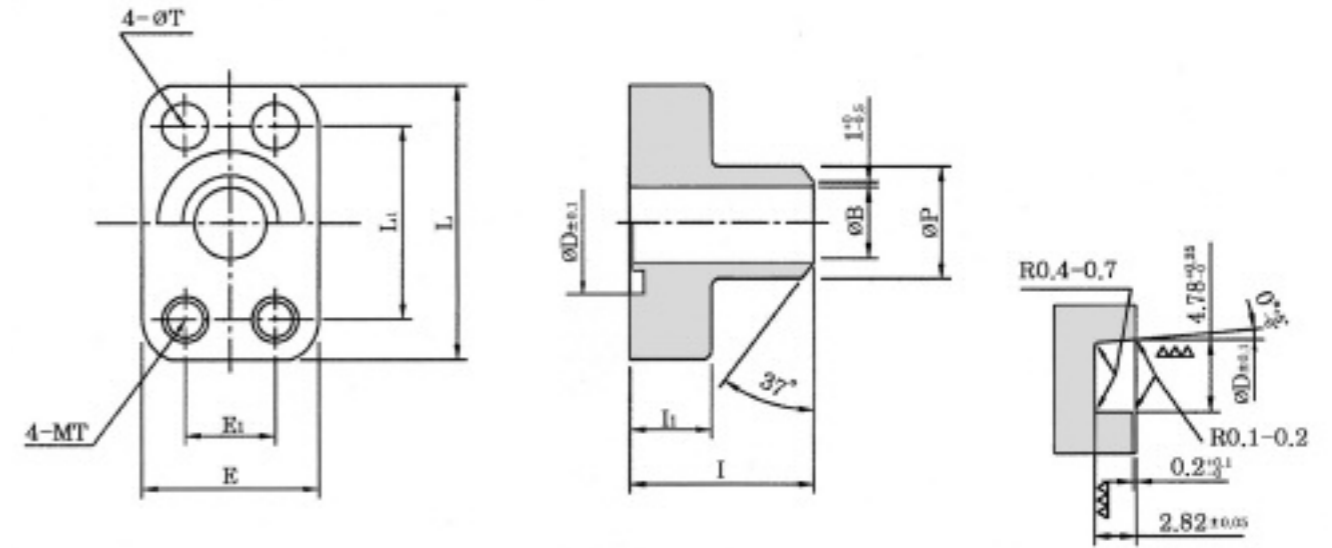


## WELD ON FLANGE SWOF



O-RING GROOVE DETAIL

## RECTANGLE WELD ON FLANGE SRWF



O-RING GROOVE DETAIL

3000PSI

Part No.	NORMAL FLANGE	SIZE PIPE	P	B	D	I	I <sub>1</sub>	E	E <sub>1</sub>	L	L <sub>1</sub>	T	O-RING AS568
SWOF-02	15 A	21.7	22.2	13	26.75	36	16	46	17.5	54	38.1	M8 / φ9	-211
SWOF-03	15 A	17.3	17.8	10	26.75	36	16	46	17.5	54	38.1	φ9	-211
SWOF-04	20 A	27.2	27.7	19	31.52	38	18	52	22.2	65	47.6		-214
SWOF-05	20 A	21.7	22.2	13	31.52	38	18	52	22.2	65	47.6		-214
SWOF-06	25 A	34.0	34.5	25	39.45	38	18	60	26.2	70	52.4		-219
SWOF-07	25 A	27.2	27.7	19	39.45	38	18	60	26.2	70	52.4		-219
SWOF-08	25 A	21.7	22.2	13	39.45	38	18	60	26.2	70	52.4	M10	-219
SWOF-09	32 A	42.7	43.2	32	50.62	42	22	73	30.2	79	58.7	φ11	-222
SWOF-10	32 A	34.0	34.5	25	50.62	42	22	73	30.2	79	58.7		-222
SWOF-11	32 A	27.2	27.7	19	50.62	42	22	73	30.2	79	58.7		-222
SWOF-12	40 A	48.6	49.1	38	56.97	45	25	82	35.7	94	69.9		-226
SWOF-13	40 A	42.7	43.2	32	56.97	45	25	82	35.7	94	69.9	M12	-226
SWOF-14	50 A	60.5	61.0	51	66.50	50	25	94	42.9	104	77.8	φ13.5	-229
SWOF-15	65 A	76.3	77.0	63	82.37	50	25	106	50.8	114	88.9		-234
SWOF-16	80 A	89.1	90.0	73	95.07	53	28	130	61.9	135	106.4	M16	-238
SWOF-17	90 A	101.6	102.4	89	107.77	53	28	136	69.9	152	120.7	φ17.5	-242
SWOF-18	100 A	114.3	115.1	99	123.65	53	28	146	77.8	162	130.2		-247

6000PSI

Part No.	NORMAL FLANGE	SIZE PIPE	P	B	D	I	I <sub>1</sub>	E	E <sub>1</sub>	L	L <sub>1</sub>	T	O-RING AS568
SWOF-100	10A	17.3	17.8	11	26.75	38	18	46	18.2	54	40.5	M8 / φ9	-211
SWOF-200	20A	27.2	27.7	19	31.52	42	22	55	23.8	71	50.8	M10 / φ11	-214
SWOF-250	25A	34.0	34.5	25	39.45	45	25	65	27.8	81	57.2	M12 / φ13.5	-219
SWOF-320	32A	42.7	43.2	32	50.62	48	28	78	31.8	94	66.7	M12 / φ13.5	-222
SWOF-400	40A	48.6	49.1	38	56.97	50	30	94	36.5	112	79.4	M16 / φ17.5	-226
SWOF-500	50A	60.5	61.0	51	66.50	63	38	114	44.5	134	96.8	M16 / φ17.5	-229

3000PSI

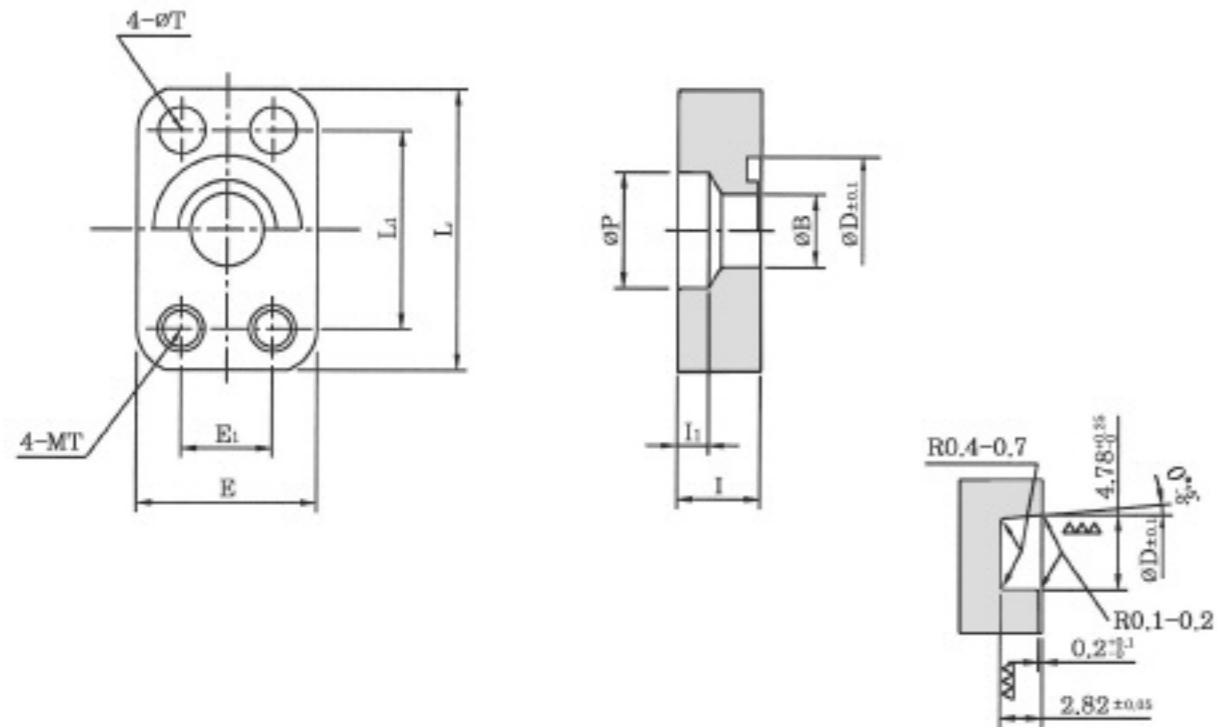
Part No.	NORMAL FLANGE	SIZE PIPE	P	B	D	I	I <sub>1</sub>	E	E <sub>1</sub>	L	L <sub>1</sub>	T	O-RING AS568
SRWF-02	15A	21.7	22.2	13	26.75	36	16	34	17.5	54	38.1	M8 / φ9	-211
SRWF-03	15A	17.3	17.8	10	26.75	36	16	34	17.5	54	38.1	φ9	-211
SRWF-04	20A	27.2	27.7	19	31.52	38	18	41	22.2	65	47.6		-214
SRWF-05	20A	21.7	22.2	13	31.52	38	18	41	22.2	65	47.6		-214
SRWF-06	25A	34.0	34.5	25	39.45	38	18	48	26.2	70	52.4	M10 / φ11	-219
SRWF-07	25A	27.2	27.7	19	39.45	38	18	48	26.2	70	52.4		-219
SRWF-08	25A	21.7	22.2	13	39.45	38	18	48	26.2	70	52.4		-219
SRWF-09	32A	42.7	43.2	32	50.62	42	22	54	30.2	79	58.7	M12 / φ13.5	-222
SRWF-10	32A	34.0	34.5	25	50.62	42	22	54	30.2	79	58.7		-222
SRWF-11	32A	27.2	27.7	19	50.62	42	22	54	30.2	79	58.7	φ13.5	-222
SRWF-12	40A	48.6	49.1	38	56.97	45	25	64	35.7	94	69.9	M16 / φ17.5	-226
SRWF-13	40A	42.7	43.2	32	56.97	45	25	64	35.7	94	69.9		-226

6000PSI

Part No.	NORMAL FLANGE	SIZE PIPE	P	B	D	I	I <sub>1</sub>	E	E <sub>1</sub>	L	L <sub>1</sub>	T	O-RING AS568
SRWF-20	15A	21.7	22.2	13	26.75	38	18	34	18.2	54	40.5	M8 / φ9	-211
SRWF-30	15A	17.3	17.8	10	26.75	38	18	34	18.2	54	40.5	φ9	-211
SRWF-40	20A	27.2	27.7	19	31.52	42	22	48	23.8	71	50.8	M10 / φ11	-214
SRWF-50	20A	21.7	22.2	13	31.52	42	22	48	23.8	71	50.8		-214
SRWF-60	25A	34.0	34.5	25	39.45	45	25	54	27.8	81	57.2	M12 / φ13.5	-219
SRWF-70	25A	27.2	27.7	19	39.45	45	25	54	27.8	81	57.2		-219
SRWF-80	25A	21.7	22.2	13	39.45	45	25	54	27.8	81	57.2	φ13.5	-219
SRWF-90	32A	42.7	43.2	32	50.62	48	28	60	31.8	94	66.7	M14 / φ15.5	-222
SRWF-100	32A	34.0	34.5	25	50.62	48	28	60	31.8	94	66.7		-222
SRWF-110	32A	27.2	27.7	19	50.62	48	28	60	31.8	94	66.7	φ15.5	-222
SRWF-120	40A	48.6	49.1	38	56.97	50	30	70	36.5	112	79.4	M16 / φ17.5	-226
SRWF-130	40A	42.7	43.2	32	56.97	50	30	70	36.5	112	79.4		-226



## RECTANGLE SOCKET WELD FLANGE SRSW

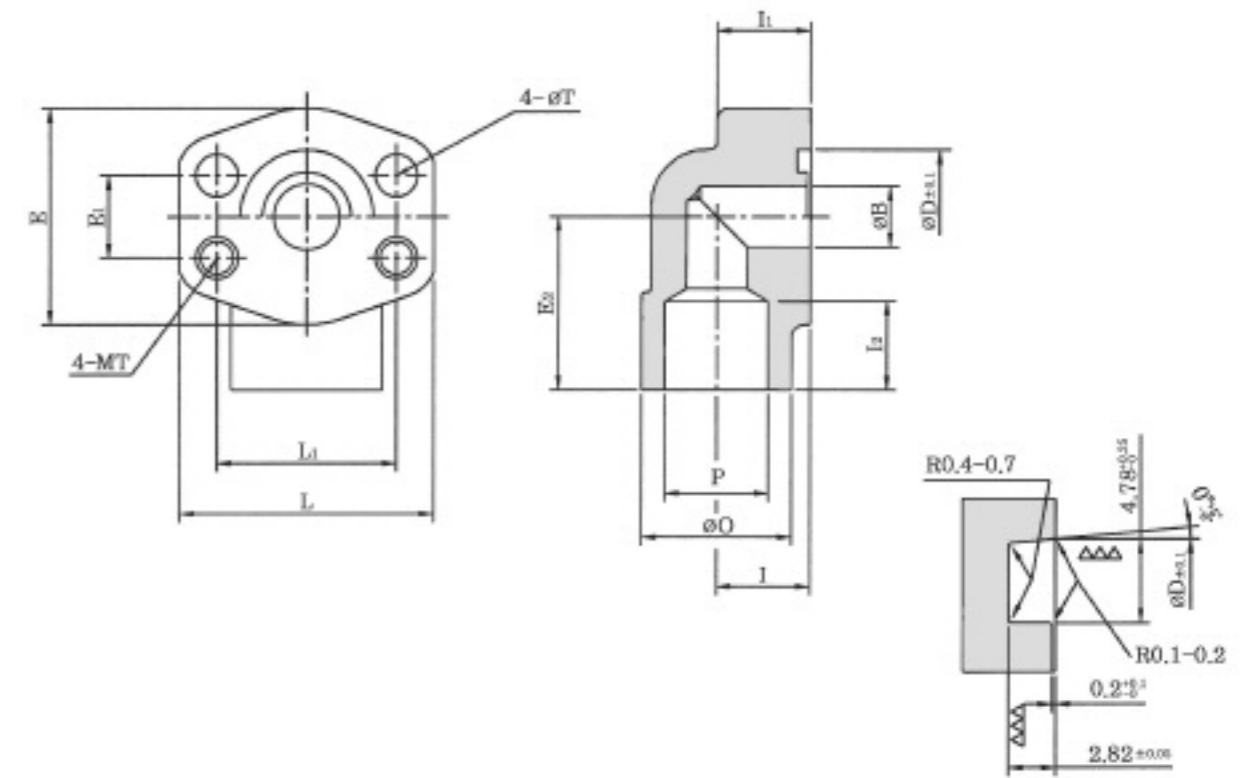


O-RING GROOVE DETAIL

3000PSI

Part No.	NOMINAL FLANGE	SIZE PIPE	P	B	D	I	l <sub>1</sub>	E	E <sub>1</sub>	L	L <sub>1</sub>	T	O-RING AS568
SRSW-02	15A	21.7	22.2	13	26.75	16	6	34	17.5	54	38.1	M8 / φ9	-211
SRSW-03	15A	17.3	17.8	10	26.75	16	6	34	17.5	54	38.1	M8 / φ9	-211
SRSW-04	20A	27.2	27.7	19	31.52	16	6	41	22.2	65	47.6	M10 / φ11	-214
SRSW-05	20A	21.7	22.2	13	31.52	16	6	41	22.2	65	47.6	M10 / φ11	-214
SRSW-06	25A	34.0	34.5	25	39.45	16	6	48	26.2	70	52.4	M10 / φ11	-219
SRSW-07	25A	27.2	27.7	19	39.45	16	6	48	26.2	70	52.4	M10 / φ11	-219
SRSW-08	25A	21.7	22.2	13	39.45	16	6	48	26.2	70	52.4	M10 / φ11	-219
SRSFW-09	32A	42.7	43.2	32	50.62	16	6	54	30.2	79	58.7	M12 / φ13.5	-222
SRSFW-10	32A	34.0	34.5	25	50.62	16	6	54	30.2	79	58.7	M12 / φ13.5	-222
SRSFW-11	32A	27.2	27.7	19	50.62	16	6	54	30.2	79	58.7	M12 / φ13.5	-222
SRSFW-12	40A	48.6	49.1	38	56.97	16	6	64	35.7	94	69.9	M12 / φ13.5	-226
SRSFW-13	40A	42.7	43.2	32	56.97	16	6	64	35.7	94	69.9	M12 / φ13.5	-226
SRSFW-14	50A	60.5	61.0	51	66.50	16	6	76	42.9	102	77.8	M12 / φ13.5	-229
SRSFW-15	50A	48.6	49.1	38	66.50	16	6	76	42.9	102	77.8	M12 / φ13.5	-229

## ELBOW FLANGE SOCKET WELD SWFL



O-RING GROOVE DETAIL

3000PSI

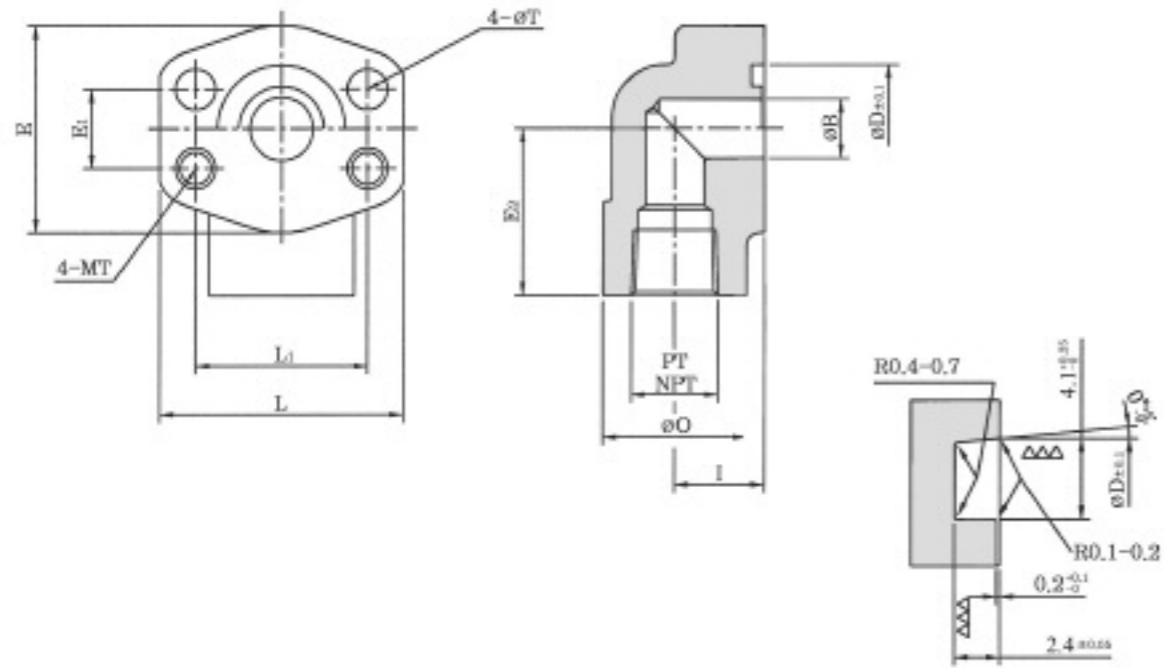
Part No.	IN PIPE	P	B	D	O	I	l <sub>1</sub>	l <sub>2</sub>	E	E <sub>1</sub>	E <sub>2</sub>	L	L <sub>1</sub>	T	O-RING AS568
SWFL-15T	φ21.7	1/2	13	26.75	32	20	20	19	46	17.5	37	54	38.1	M8 / φ9	-211
SWFL-20T	φ27.2	3/4	19	31.52	38	24	24	19	52	22.2	38	65	47.6	M10 / φ11	-214
SWFL-25T	φ34.0	1	25	39.45	44	28	28	19	60	26.2	44	70	52.4	M10 / φ11	-219
SWFL-32T	φ42.7	1 3/4	32	50.62	52	34	34	22	73	30.2	52	79	58.7	M12 / φ13.5	-222
SWFL-40T	φ48.6	1 1/2	38	56.97	58	38	38	24	82	35.7	58	94	69.9	M12 / φ13.5	-226
SWFL-50T	φ60.5	2	51	66.50	72	42	42	30	94	42.9	72	102	77.8	M16 / φ17.5	-229

6000PSI

Part No.	IN PIPE	P	B	D	O	I	l <sub>1</sub>	l <sub>2</sub>	E	E <sub>1</sub>	E <sub>2</sub>	L	L <sub>1</sub>	T	O-RING AS568
SWFL-15TT	φ21.7	1/2	13	26.75	32	20	20	19	46	18.2	37	54	40.5	M8 / φ9	-211
SWFL-20TT	φ27.2	3/4	19	31.52	38	28	28	22	55	23.8	43	71	50.8	M10 / φ11	-214
SWFL-25TT	φ34.0	1	25	39.45	44	34	34	24	65	27.8	44	81	57.2	M12 / φ13.5	-219
SWFL-32TT	φ42.7	1 3/4	32	50.62	55	38	38	25	78	31.8	55	94	66.7	M14 / φ15.5	-222
SWFL-40TT	φ48.6	1 1/2	38	56.97	60	42	42	28	94	36.5	60	112	79.4	M16 / φ17.5	-226

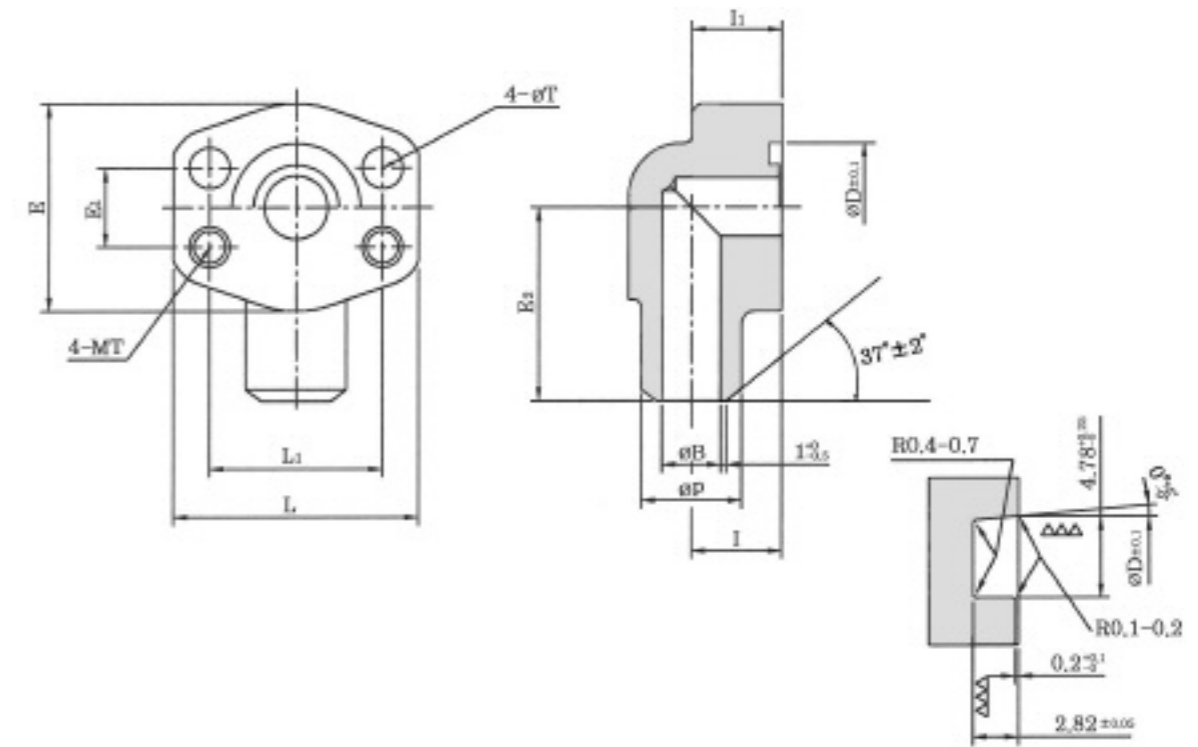


SOCKET WELD FLANGE 90°  
**SWFL**



O-RING GROOVE DETAIL

WELD ON FLANGE 90°  
**SWOFL**



O-RING GROOVE DETAIL

3000PSI

Part No.	IN PIPE	P	B	D	O	I	l <sub>1</sub>	l <sub>2</sub>	E	E <sub>1</sub>	E <sub>2</sub>	L	L <sub>1</sub>	T	O-RING AS568
SWFL-15S	φ21.7	22.2	13	26.75	32	20	20	19	46	17.5	37	54	38.1	M8 / φ9	-211
SWFL-20S	φ27.2	27.7	19	31.52	38	24	24	19	52	22.2	38	65	47.6	φ9	-214
SWFL-25S	φ34.0	34.5	25	39.45	44	28	28	19	60	26.2	44	70	52.4	M10 / φ11	-219
SWFL-32S	φ42.7	43.2	32	50.62	52	34	34	22	73	30.2	52	79	58.7	φ11	-222
SWFL-40S	φ48.6	49.1	38	56.97	58	38	38	24	82	35.7	58	94	69.9	M12 / φ13.5	-226
SWFL-50S	φ60.5	61.0	51	66.50	72	42	42	30	94	42.9	72	102	77.8	φ13.5	-229

6000PSI

Part No.	IN PIPE	P	B	D	O	I	l <sub>1</sub>	l <sub>2</sub>	E	E <sub>1</sub>	E <sub>2</sub>	L	L <sub>1</sub>	T	O-RING AS568
SWFL-15SS	φ21.7	22.2	13	26.75	32	20	20	19	46	18.2	37	54	40.5	M8 / φ9	-211
SWFL-20SS	φ27.2	27.7	19	31.52	38	28	28	19	55	23.8	43	71	50.8	M10 / φ11	-214
SWFL-25SS	φ34.0	34.5	25	39.45	44	34	34	19	65	27.8	51	81	57.2	M12 / φ13.5	-219
SWFL-32SS	φ42.7	43.2	32	50.62	55	38	38	22	78	31.8	56	94	66.7	M14 / φ15.5	-222
SWFL-40SS	φ48.6	49.1	38	56.97	60	42	42	24	94	36.5	65	112	79.4	M16 / φ17.5	-226

3000PSI

Part No.	IN PIPE	P	B	D	I	l <sub>1</sub>	E	E <sub>1</sub>	E <sub>2</sub>	L	L <sub>1</sub>	T	O-RING AS568
SWOFL-15W	φ21.7	22.2	13	26.75	20	20	46	17.5	37	54	38.1	M8 / φ9	-211
SWOFL-20W	φ27.2	27.7	19	31.52	24	24	52	22.2	38	65	47.6	φ9	-214
SWOFL-25W	φ34.0	34.5	25	39.45	28	28	60	26.2	44	70	52.4	M10 / φ11	-219
SWOFL-32W	φ42.7	43.2	32	50.62	34	34	73	30.2	52	79	58.7	φ11	-222
SWOFL-40W	φ48.6	49.1	38	56.97	38	38	82	35.7	58	94	69.9	M12 / φ13.5	-226
SWOFL-50W	φ60.5	61.0	51	66.50	42	42	94	42.9	72	102	77.8	φ13.5	-229

6000PSI

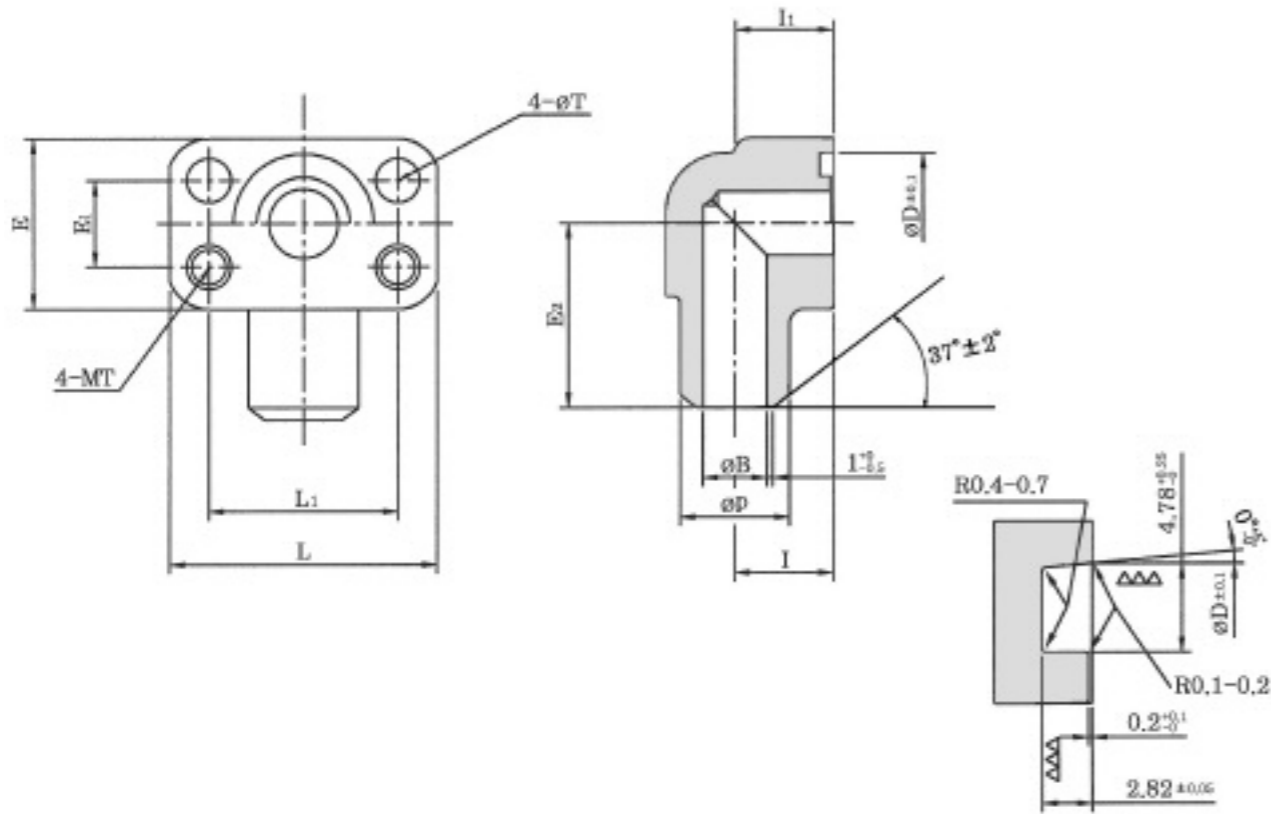
Part No.	IN PIPE	P	B	D	I	l <sub>1</sub>	E	E <sub>1</sub>	E <sub>2</sub>	L	L <sub>1</sub>	T	O-RING AS568
SWOFL-15WW	φ21.7	22.2	13	26.75	20	20	46	18.2	37	54	40.5	M8 / φ9	-211
SWOFL-20WW	φ27.2	27.7	19	31.52	24	28	55	23.8	43	71	50.8	M10 / φ11	-214
SWOFL-25WW	φ34.0	34.5	25	39.45	28	34	65	27.8	51	81	57.2	M12 / φ13.5	-219
SWOFL-32WW	φ42.7	43.2	32	50.62	34	38	78	31.8	56	94	66.7	M14 / φ15.5	-222
SWOFL-40WW	φ48.6	49.1	38	56.97	38	42	94	36.5	65	112	79.4	M16 / φ17.5	-226





WELD ON RECTANGLE FLANGE 90°

**SWRFL**



O-RING GROOVE DETAIL

3000PSI

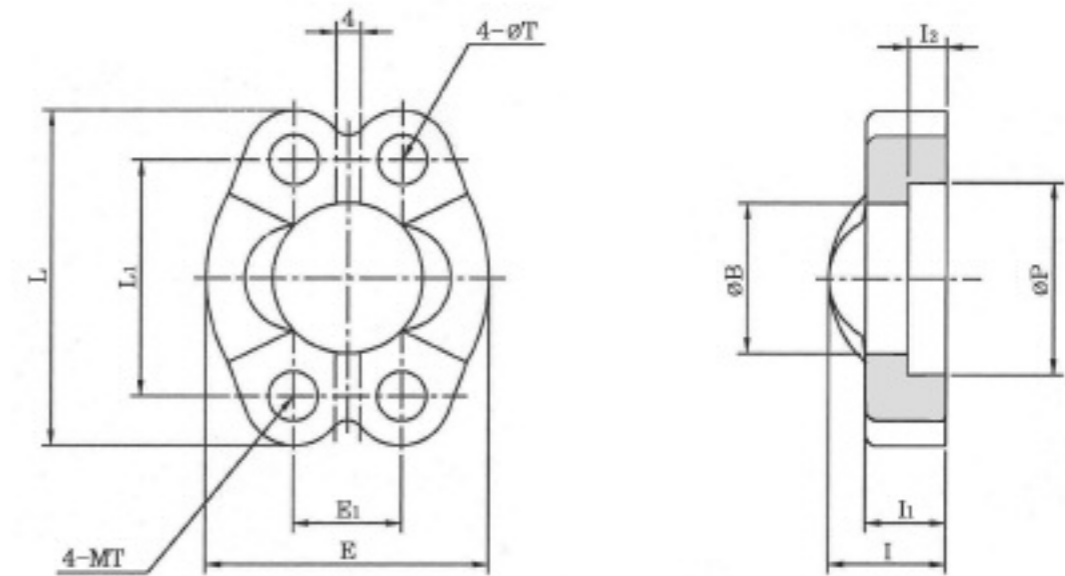
Part No.	NORMAL FLANGE	SIZE PIPE	P	B	D	I	I <sub>1</sub>	E	E <sub>1</sub>	E <sub>2</sub>	L	L <sub>1</sub>	T	O-RING AS568
SWRFL-15W	15A	21.7	22.2	13	26.75	20	20	34	17.5	37	54	38.1	M8/φ9	-211
SWRFL-20W	20A	27.2	27.7	19	31.52	24	24	42	22.2	41	65	47.6		-214
SWRFL-25W	25A	34.0	34.5	23	39.45	28	28	48	26.2	44	70	52.4	M12/φ13.5	-219
SWRFL-32W	32A	42.7	43.2	31	50.62	34	34	56	30.2	48	79	58.7		-222
SWRFL-40W	40A	48.6	49.1	35	56.97	38	38	64	35.7	52	94	69.9	M16/φ17.5	-226
SWRFL-50W	50A	60.5	61.0	48	66.50	42	42	72	42.9	56	102	77.8		-229

6000PSI

Part No.	NORMAL FLANGE	SIZE PIPE	P	B	D	I	I <sub>1</sub>	E	E <sub>1</sub>	E <sub>2</sub>	L	L <sub>1</sub>	T	O-RING AS568
SWRFL-15WW	15A	21.7	22.2	13	26.75	20	20	34	18.2	37	54	40.5	M8/φ9	-211
SWRFL-20WW	20A	27.2	27.7	19	31.52	28	28	48	23.8	44	71	50.8	M10/φ11	-214
SWRFL-25WW	25A	34.0	34.5	23	39.45	34	34	54	27.8	47	81	57.2	M12/φ13.5	-219
SWRFL-32WW	32A	42.7	43.2	31	50.62	38	38	60	31.8	50	94	66.7	M14/φ15.5	-222
SWRFL-40WW	40A	48.6	49.1	35	56.97	42	42	70	36.5	55	112	79.4	M16/φ17.5	-226

SPLIT FLANGE

**SSF**



3000PSI

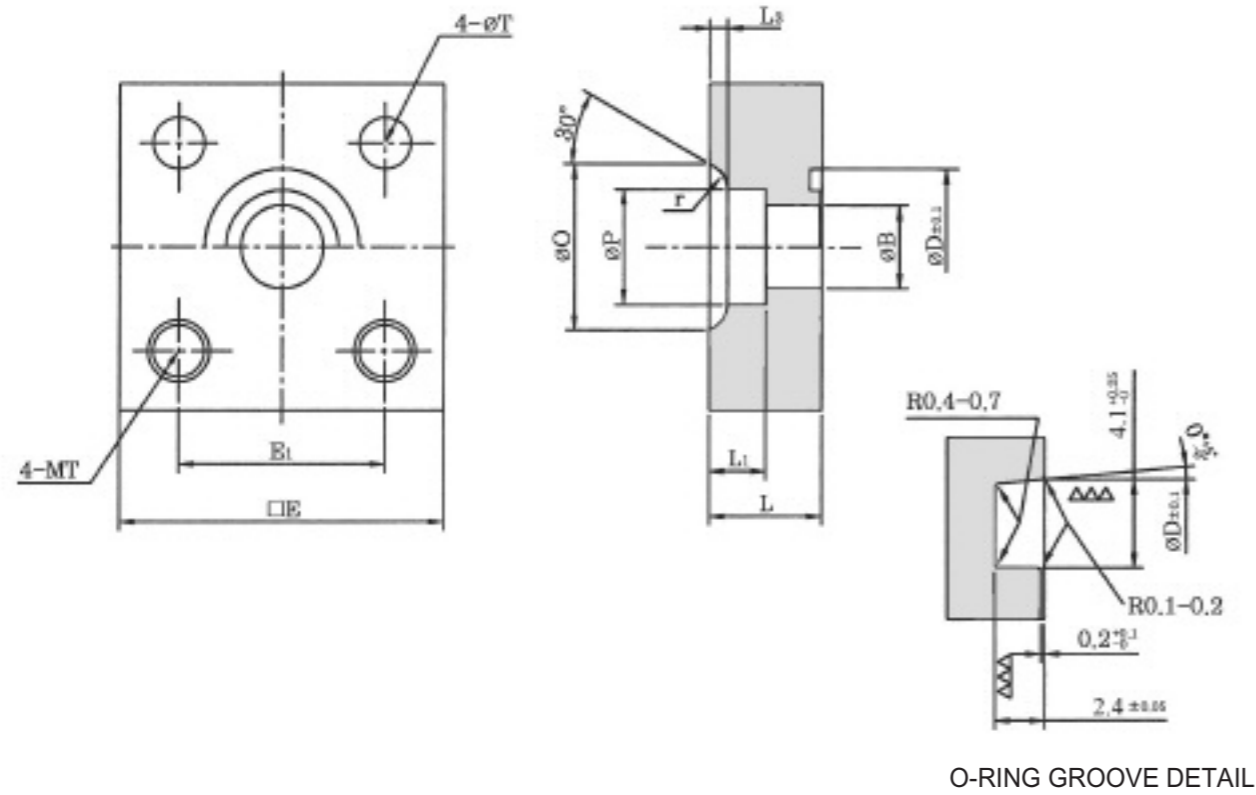
Part No.	IN PIPE	P	B	I	I <sub>1</sub>	I <sub>2</sub>	E	E <sub>1</sub>	L	L <sub>1</sub>	T
SSF-15	15A	31.0	24.3	19	13	6.2	46	17.5	54	38.1	M8/φ9
SSF-20	20A	38.9	32.1	22	14	6.2	52	22.2	65	47.6	
SSF-25	25A	45.2	38.5	24	16	7.5	60	26.2	70	52.4	M10/φ10.5
SSF-32	32A	51.6	43.7	22	14	7.5	73	30.2	79	58.7	
SSF-40	40A	61.1	50.8	25	16	7.5	82	35.7	94	69.9	
SSF-50	50A	72.2	62.7	26	16	9.0	94	42.9	102	77.8	M12/φ13.5
SSF-65	65A	84.9	74.9	38	19	9.0	106	50.8	114	88.9	
SSF-80	80A	102.4	90.9	41	55	9.0	130	61.9	135	106.4	
SSF-90	90A	115.3	102.3	45	24	10.8	136	69.9	152	120.7	M16/φ17.5
SSF-100	100A	128.4	115.3	45	24	10.8	152	77.8	162	130.2	

6000PSI

Part No.	IN PIPE	P	B	I	I <sub>1</sub>	I <sub>2</sub>	E	E <sub>1</sub>	L	L <sub>1</sub>	T
SSF-150	15A	32.5	24.6	22	16	7.2	46	18.2	54	40.5	M8/φ9
SSF-200	20A	42.0	32.5	23	19	8.3	55	23.8	71	50.8	M10/φ10.5
SSF-250	25A	48.4	38.9	33	24	9.0	65	27.8	81	57.2	M12/φ12.5
SSF-320	32A	54.8	44.5	38	27	9.8	78	31.8	94	66.7	M14/φ15.5
SSF-400	40A	64.3	51.6	43	30	12.1	94	36.5	112	79.4	M16/φ17.5
SSF-500	50A	80.2	67.6	52	37	12.1	114	44.5	134	96.8	M20/φ22



## SQUARE FLANGE-SOCKET WELD SFSW



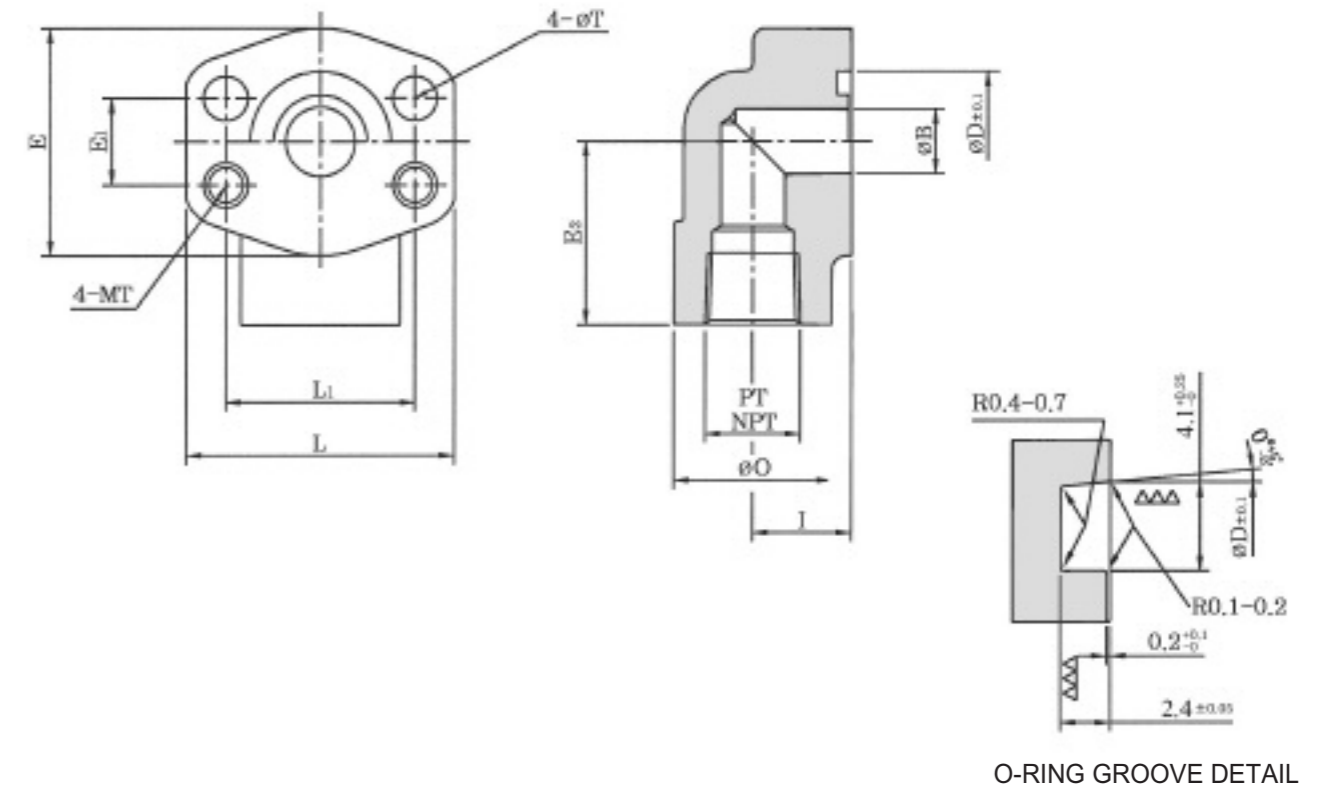
3000PSI

Part No.	IN PIPE	P	B	D	O	r	E	E <sub>1</sub>	L	L <sub>1</sub>	L <sub>2</sub>	T	O-RING
SFSW-15	21.7	22.2	16	30	32	5	63	40	22	11	3.5	M10	G25
SFSW-20	27.2	27.7	20	35	38	5	68	45	22	12	4.0	φ 11	G30
SFSW-25	34.0	34.5	25	40	45	5	80	53	28	14	4.0	M12	G35
SFSW-32	42.7	43.2	31.5	45	56	5	90	63	28	16	6.0	φ 13.5	G40
SFSW-40	48.6	49.1	37.5	55	63	5	100	70	36	18	7.0	M16	G50
SFSW-50	60.5	61.1	47.5	65	75	5	112	80	36	20	7.0	φ 17.5	G60
SFSW-65	76.3	77.1	60	80	95	5	140	100	45	22	9.5	M20	G75
SFSW-80	89.1	90.0	71	90	108	6	155	112	45	25	11.0	M22	G85

6000PSI

Part No.	IN PIPE	P	B	D	O	r	E	E <sub>1</sub>	L	L <sub>1</sub>	L <sub>2</sub>	T	O-RING
SFSW-150	21.7	22.2	16	30	32	5	54	36	22	11	3.5	M10	G25
SFSW-200	27.2	27.7	20	35	38	5	58	40	22	12	4.0	φ 11	G30
SFSW-250	34.0	34.5	25	40	45	5	68	48	28	14	4.0	M12	G35
SFSW-320	42.7	43.2	31.5	45	56	5	76	56	28	16	6.0	φ 13.5	G40
SFSW-400	48.6	49.1	37.5	55	63	5	92	65	36	18	7.0	M16	G50
SFSW-500	60.5	61.1	47.5	65	75	5	100	73	36	20	7.0	φ 17.5	G60
SFSW-650	76.3	77.1	60	80	95	5	128	92	45	22	9.5	M20	G75
SFSW-800	89.1	90.0	71	90	108	6	140	103	45	25	11.0	M22	G85

## THREAD FLANGE 90° STFL

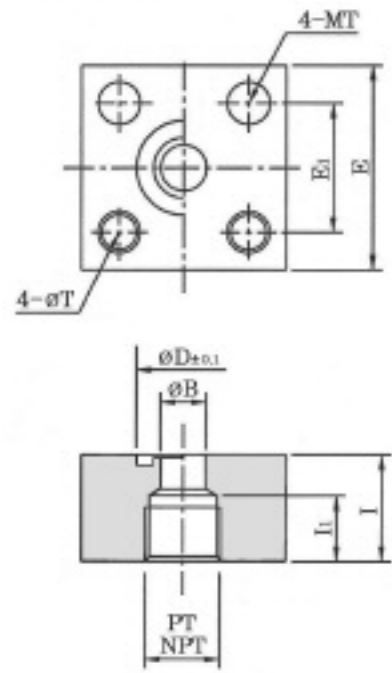


Part No.	PT/NPT	B	D	O	E	E <sub>1</sub>	L	L <sub>1</sub>	T	O-RING
STFL-15	1/2	16	30	32	54	36	40	11	M19	G25
STFL-20	3/4	20	35	38	58	40	45	12	φ 11	G30
STFL-25	1	25	40	45	68	48	50	14	M12	G35
STFL-32	1 1/4	31.5	45	56	76	56	63	16	φ 13.5	G40
STFL-40	1 1/2	37.5	55	63	92	65	71	18	M16	G50
STFL-50	2	47.5	65	75	100	73	85	20	φ 17.5	G60
STFL-65	2 1/2	60	80	95	128	92	106	22	M20	G75
STFL-80	3	71	90	108	140	103	118	25	M22	G85

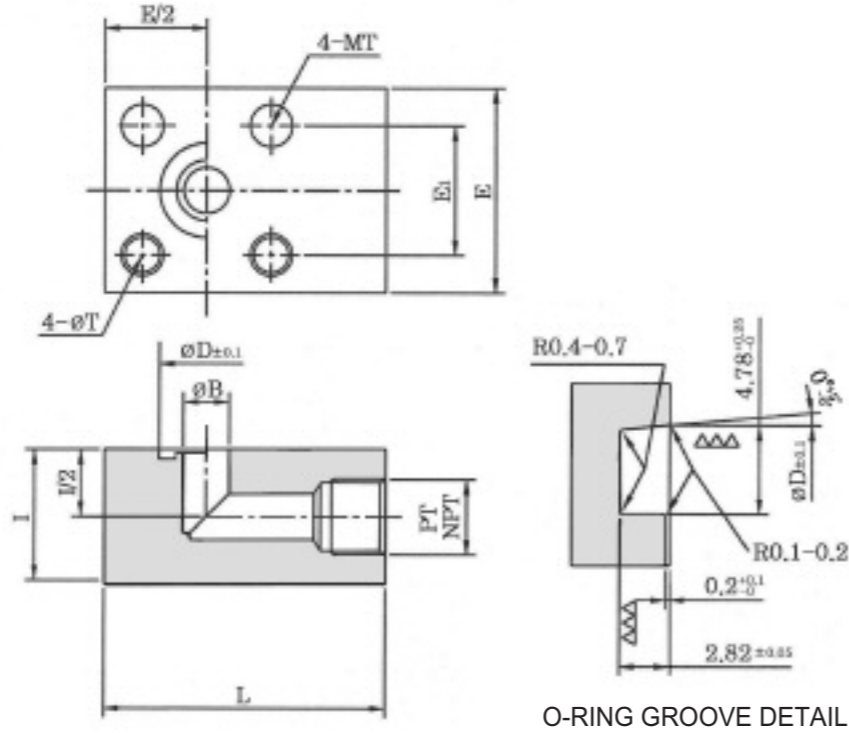


## SQUARE & ELBOW FLANGE-THREAD TYPE SFTL

SQUARE THREAD FLANGE-BSPT

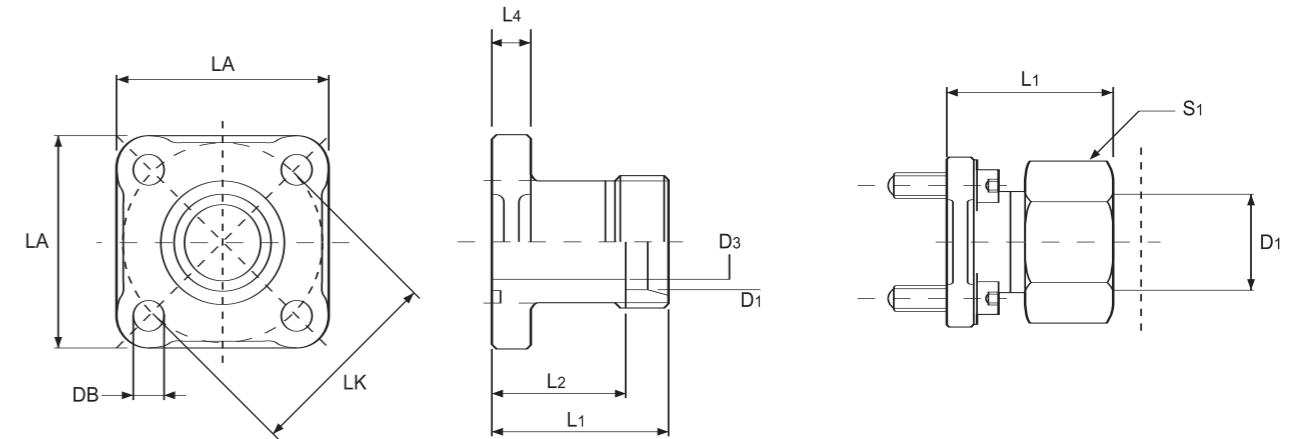


THREAD FLANGE-90° BSPT



O-RING GROOVE DETAIL

## GEAR PUMP FLANGE SBFG



SQUARE THREAD FLANGE-BSPT

Part No.	NORMAL FLANGE	SIZE PIPE	P NPT	B	D	I	I1	E	E1	L	T	O-RING AS568
SFTL-15T	15A	21.7	1/2	13	26.75	32	19	58	36.6	-	M10	- 211
SFTL-20T	20A	27.7	3/4	19	31.52	32	19	58	36.6	-	φ 11	- 214
SFTL-25T	25A	34.5	1	25	39.45	38	19	76	50.8	-	M12	- 219
SFTL-32T	32A	42.7	1 1/4	32	50.62	38	22	76	50.8	-	φ 13.5	- 222
SFTL-40T	40A	48.6	1 1/2	38	56.97	45	24	102	69.8	-	M16	- 226
SFTL-50T	50A	60.5	2	51	66.50	45	30	102	69.8	-	φ 17.5	- 229
SFTL-65T	65A	76.3	2 1/2	63	82.37	57	30	140	95.2	-	M22	- 234
SFTL-80T	80A	89.1	3	73	95.07	57	34	140	95.2	-	φ 24	- 238

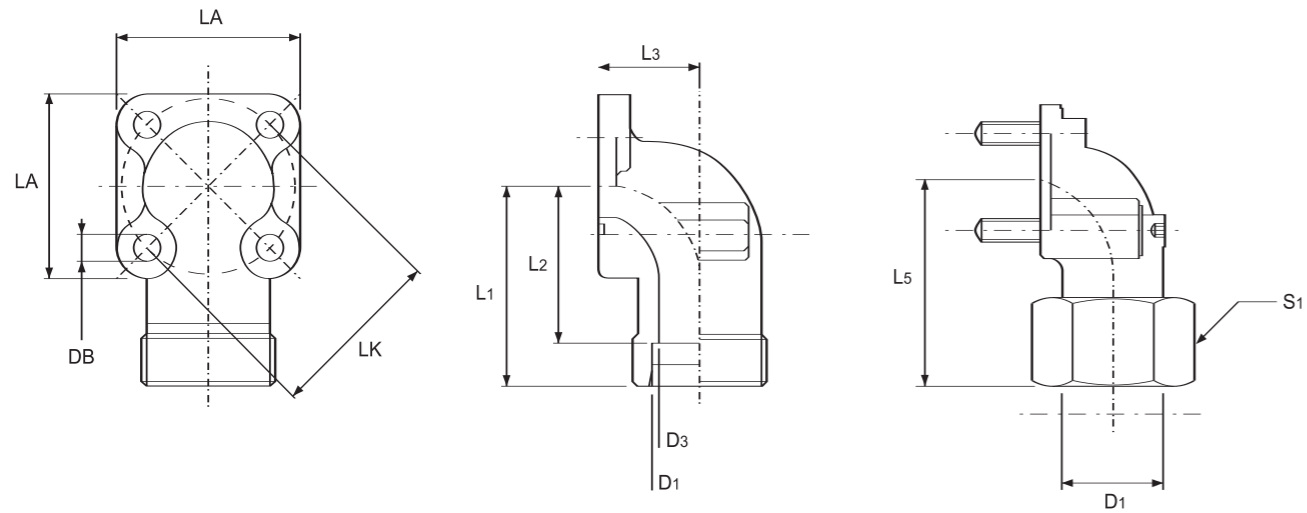
THREAD FLANGE-90° BSPT

Part No.	NORMAL FLANGE	SIZE PIPE	P NPT	B	D	I	I1	E	E1	L	T	O-RING AS568
SFTL-15TT	15A	21.7	1/2	13	26.75	38	19	58	36.6	80	M10	- 211
SFTL-20TT	20A	27.7	3/4	19	31.52	36	19	58	36.6	80	φ 11	- 214
SFTL-25TT	25A	34.5	1	25	39.45	51	25.5	76	50.8	105	M12	- 219
SFTL-32TT	32A	42.7	1 1/4	32	50.62	51	25.5	76	50.8	105	φ 13.5	- 222
SFTL-40TT	40A	48.6	1 1/2	38	56.97	76	38	102	69.8	130	M16	- 226
SFTL-50TT	50A	60.5	2	51	66.50	76	38	102	69.8	130	φ 17.5	- 229
SFTL-65TT	65A	76.3	2 1/2	63	82.37	102	51	140	95.2	181	M22	- 234
SFTL-80TT	80A	89.1	3	73	95.07	102	51	140	95.2	181	φ 24	- 238

LK	D1	D3	L1	L2	LA	S1	DB	Screws (metr.)	O-ring	PN(bar) A3C
35	10L	8	30	23.0	39	19	6.4	M6 X 22	20 X 2.5	250
35	12L	10	30	23.0	39	22	6.4	M6 X 22	20 X 2.5	250
35	15L	12	30	23.0	39	27	6.4	M6 X 22	20 X 2.5	250
35	16S	12	30	21.5	39	30	6.4	M6 X 22	20 X 2.5	400
40	15L	12	35	28.0	42	27	6.4	M6 X 22	26 X 2.5	250
40	18L	15	35	27.5	42	32	6.4	M6 X 22	26 X 2.5	160
40	22L	19	35	27.5	42	36	6.4	M6 X 22	26 X 2.5	160
40	28L	24	35	27.5	42	41	6.4	M6 X 22	26 X 2.5	100
55	20S	16	50	39.5	57	36	8.4	M8 X 25	32 X 2.5	400

GEAR PUMP FLANGE 90° ELBOW

**SBFW**



LK	D1	D3	L1	L2	L3	L5	LA	S1	DB	Screws		O-ring	PN(bar) A3C
										2 pieces(metr.)	2 pieces(metr.)		
35	12L	10	37.5	30.5	16.5	47	39	22	6.4	M6 X 22	M6 X 35	20 X 2.5	250
35	15L	12	37	30.0	16.5	46	39	27	6.4	M6 X 22	M6 X 35	20 X 2.5	250
35	16S	12	38	29.5	20.0	48	39	30	6.4	M6 X 22	M6 X 40	26 X 2.5	400
35	20S	16	45	34.5	25.0	45	39	36	6.4	M6 X 22	M6 X 45	20 X 2.5	400
40	15L	12	37	30.0	22.5	46	42	27	6.4	M6 X 22	M6 X 22	26 X 2.5	250
40	18L	15	38	30.5	22.5	47	42	32	6.4	M6 X 22	M6 X 22	26 X 2.5	160
40	22L	19	38	30.5	22.5	47.5	42	36	6.4	M6 X 22	M6 X 22	26 X 2.5	160
40	28L	25	40	32.5	28.0	49	42	41	6.4	M6 X 20	M6 X 50	26 X 2.5	100
40	35L	30	41	30.5	34.0	52	42	50	6.4	M6 X 22	M6 X 60	26 X 2.5	100
40	20S	19	38	27.5	22.5	50	42	36	6.4	M6 X 22	M6 X 45	26 X 2.5	400
55	20S	16	45	34.5	24.0	56	58	36	8.4	M8 X 25	M8 X 50	32 X 2.5	400
55	22L	16	43	35.5	24.0	52.5	58	36	8.4	M8 X 25	M8 X 50	32 X 2.5	160
55	25S	20	49	37.0	30.0	61	58	46	8.4	M8 X 25	M8 X 55	32 X 2.5	400
55	35L	30	49	38.5	32.0	62	58	50	8.4	M8 X 25	M8 X 60	32 X 2.5	100